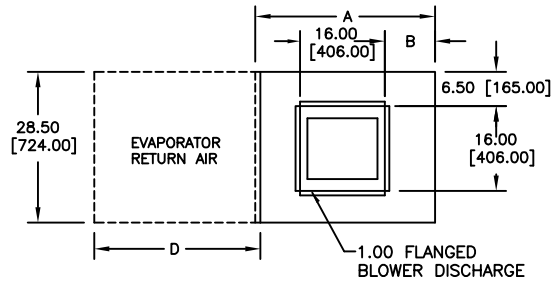
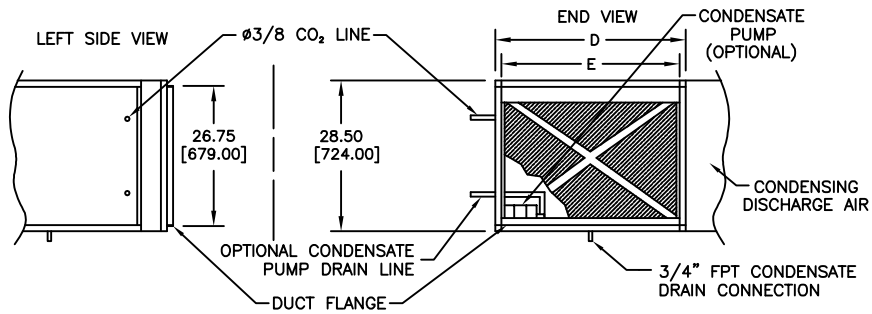


**NOTES:**

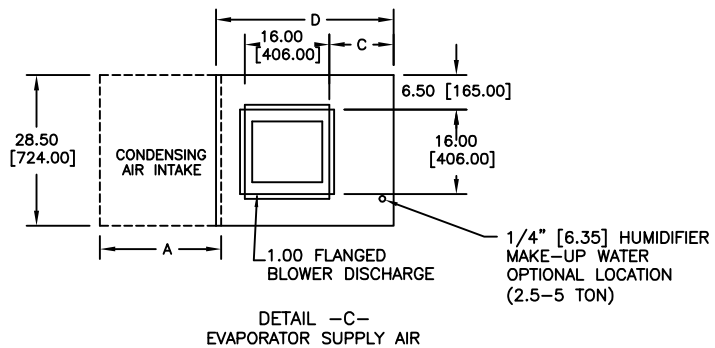
1. ALL UNIT DIMENSIONS ARE IN INCH [mm] FORMAT.
2. SEE DWG#535-900-011 FOR INSTALLATION & HARDWARE.



DETAIL -A-  
CONDENSING DISCHARGE AIR



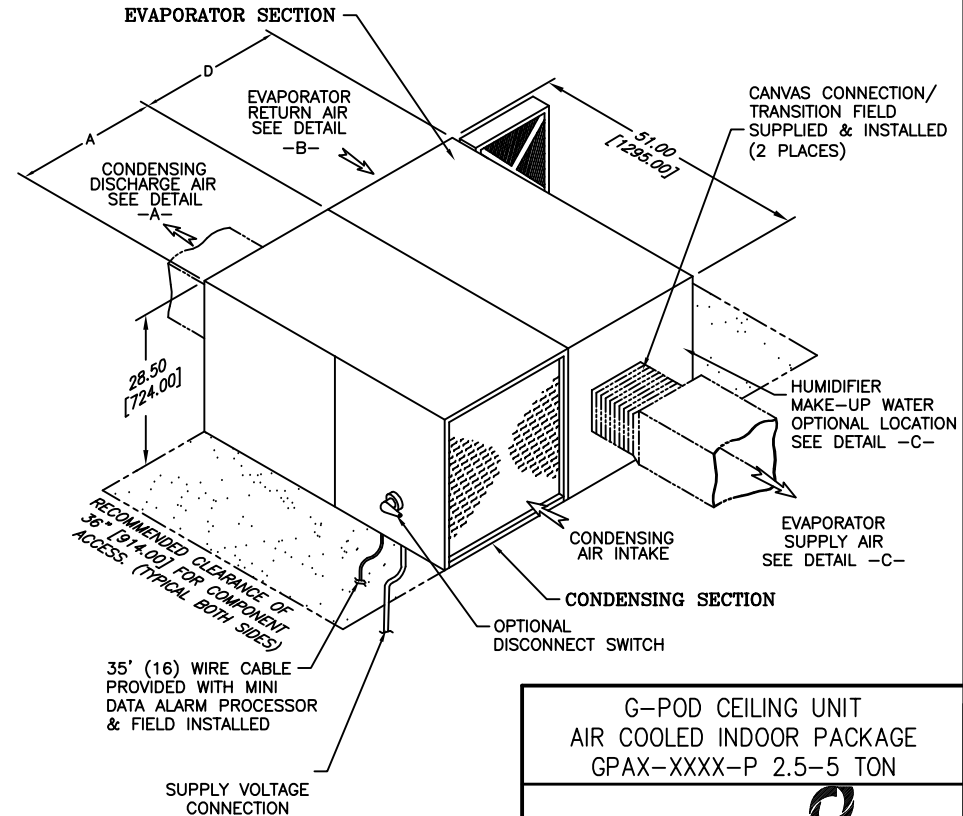
DETAIL -B-  
EVAPORATOR RETURN AIR



DETAIL -C-  
EVAPORATOR SUPPLY AIR

REVISIONS						
REV	DESCRIPTION			DATE	BY	CHKBY
A	UPDATED CO <sub>2</sub> LINE CALLOUTS			10-11-16	RK	SI

UNIT SIZE	A		B		C		D		E	
2 1/2 & 3 TON	22.50	572.00	3.25	83.00	7.25	184.00	26.50	673.00	24.63	625.00
4 & 5 TON	32.00	813.00	9.50	241.00	12.25	311.00	36.00	914.00	34.25	870.00



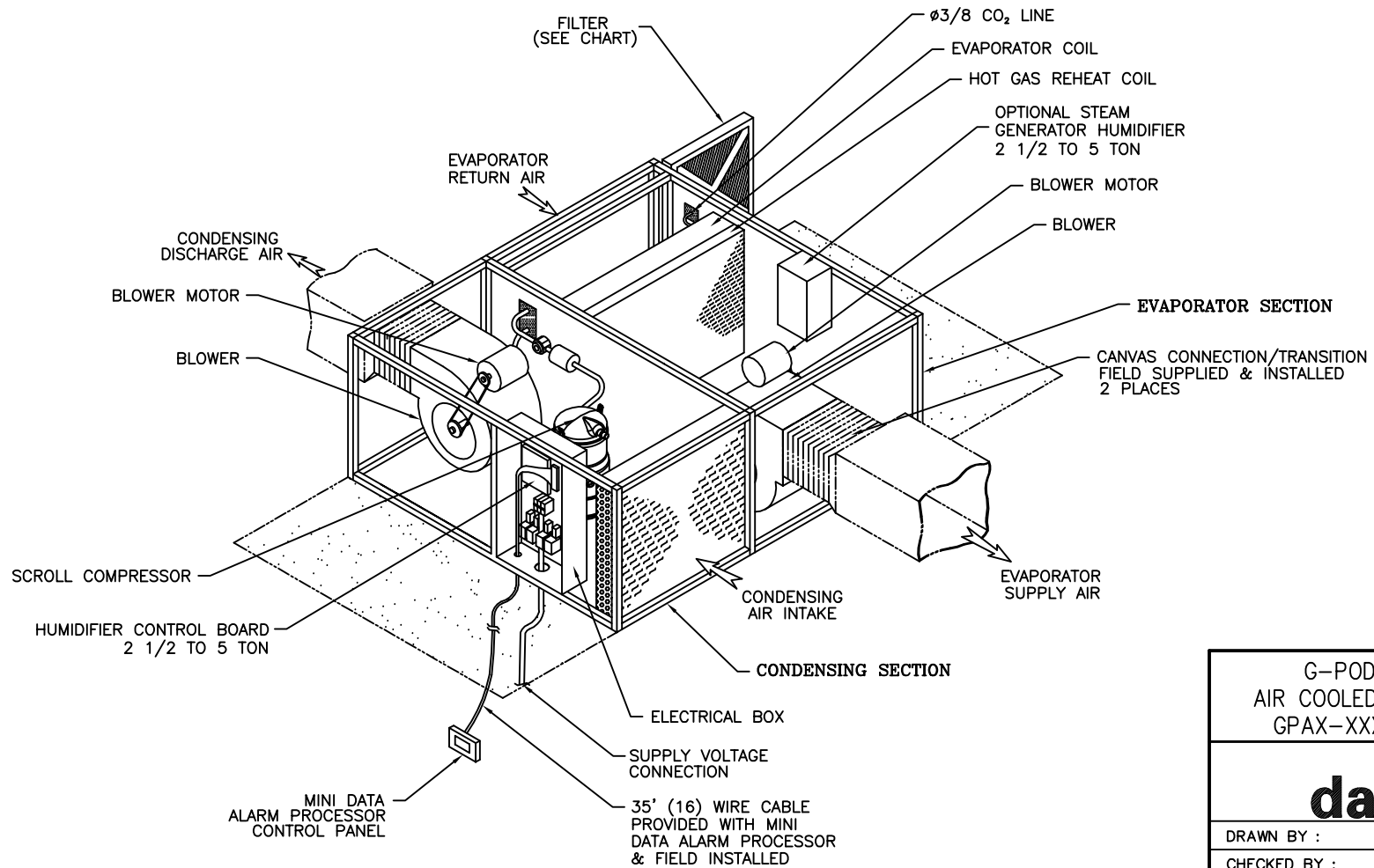
G-POD CEILING UNIT  
AIR COOLED INDOOR PACKAGE  
GPAX-XXXX-P 2.5-5 TON

**dataaire**

DRAWN BY :	RRK	SCALE:	NONE
CHECKED BY :	SI	SH	1 OF 2
DATE :	04-22-2016	REV	A


PART OF

**573-900-001**  
DWG NO.



UNIT SIZE	FILTER SIZE						
2 1/2 & 3 TON	(1)	20"	508.00	X 25"	635.00	X 2"	51.00
4 & 5 TON	(1)	16"	406.00	X 25"	635.00	X 2"	51.00
	(1)	20"	508.00	X 25"	635.00	X 2"	51.00

G-POD CEILING UNIT  
 AIR COOLED INDOOR PACKAGE  
 GPAX-XXXX-P 2.5-5 TON



DRAWN BY :	RRK	SCALE:	NONE
CHECKED BY :	SI	SH	2 OF 2
DATE :	04-22-2016	REV	A

PART OF  
**573-900-001**  
 DWG NO.