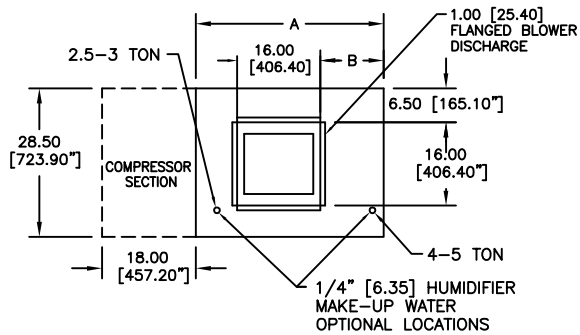


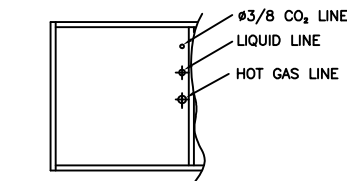
- NOTES:
- ⚠ UNIT LIQUID LINE CONNECTION SIZE IS 1/2" FOR BOTH SECTIONS.
 - ⚠ UNIT DISCHARGE LINE CONNECTION SIZE IS 1/2" FOR BOTH SECTIONS.
 - ⚠ THESE CONNECTION SIZES ARE NOT NECESSARILY THE RECOMMENDED FIELD PIPING SIZES.
 - ⚠ SEE DRAWING NO. 535-900-013 FOR INSTALLATION AND HARDWARE.
 - ⚠ ALL UNIT DIMENSIONS ARE IN INCH [mm] FORMAT.
 - ⚠ ALL DIMENSIONS ARE ±.25 UNLESS OTHERWISE NOTED

| UNIT SIZE | A | | B | | C | |
|---------------|-------|--------|------|--------|-------|--------|
| 2 1/2 & 3 TON | 26.50 | 673.00 | 3.25 | 83.00 | 24.63 | 625.00 |
| 4 & 5 TON | 36.00 | 914.00 | 9.50 | 241.00 | 34.25 | 870.00 |

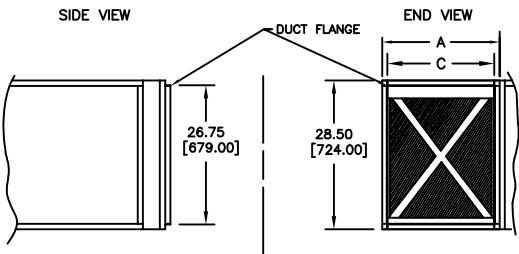
| REVISIONS | | | | |
|-----------|-------------------------------------|----------|-----|------|
| REV | DESCRIPTION | DATE | BY | FROM |
| E | REMOVED CONDENSATE DRAIN CONNECTION | 02-19-18 | MTC | RV |



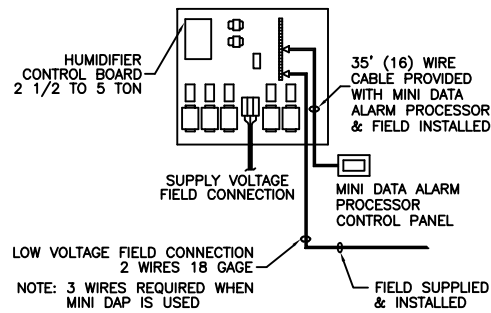
DETAIL -A-
EVAPORATOR SUPPLY AIR



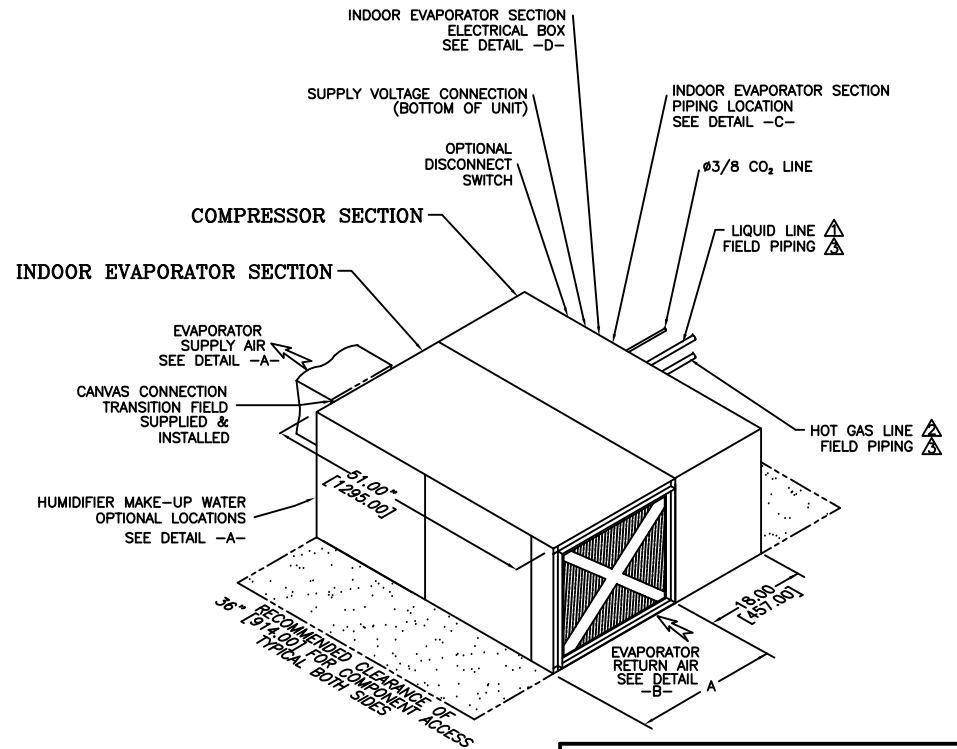
DETAIL -C-
INDOOR EVAPORATOR SECTION
RIGHT SIDE PIPING LOCATION



DETAIL -B-
EVAPORATOR RETURN AIR



DETAIL -D-
INDOOR EVAPORATOR SECTION
ELECTRICAL BOX



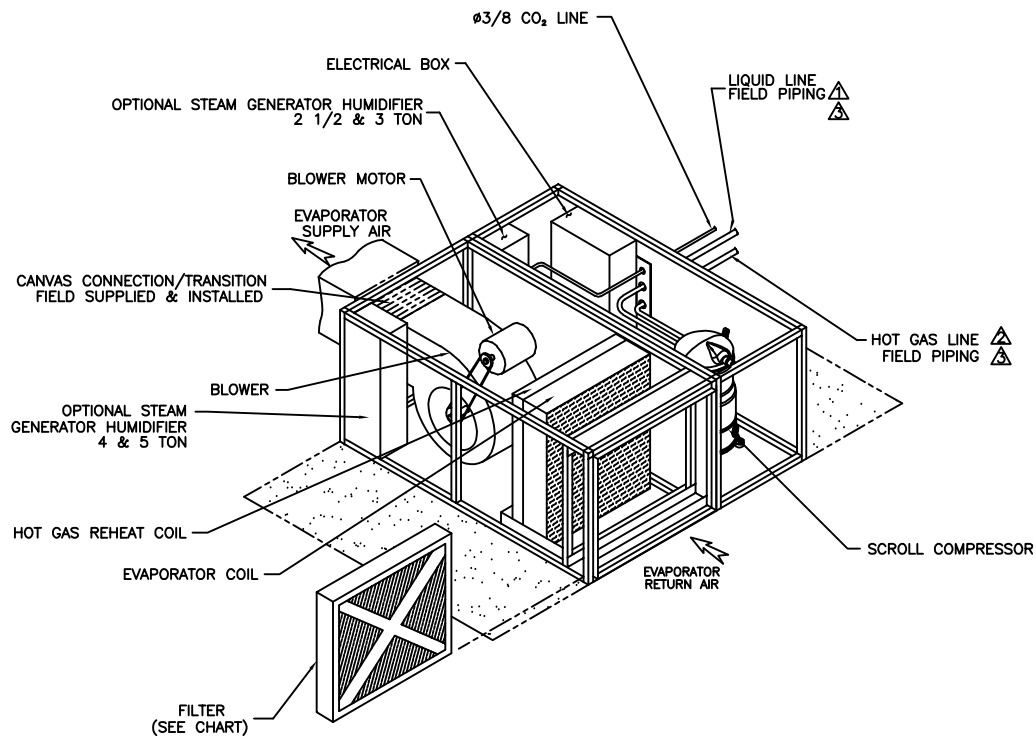
G-POD CEILING UNIT
AIR COOLED SPLIT
WITH OUTDOOR CONDENSER
GPAX-XXXX-CO 2.5 - 5 TON

dataaire

| | | |
|--------------|------------|-------------|
| DRAWN BY : | RRK | SCALE: NONE |
| CHECKED BY : | | SH 1 OF 2 |
| DATE : | 04-26-2016 | REV E |

PART OF

573-900-003
DWG NO.



| UNIT SIZE | FILTER SIZE | | | | | |
|---------------|-------------|--------|-------|--------|------|-------|
| 2 1/2 & 3 TON | (1) 20" | 508.00 | X 25" | 635.00 | X 2" | 51.00 |
| | (1) 16" | 406.00 | X 25" | 635.00 | X 2" | 51.00 |
| 4 & 5 TON | (1) 20" | 508.00 | X 25" | 635.00 | X 2" | 51.00 |

G-POD CEILING UNIT
 AIR COOLED SPLIT
 WITH OUTDOOR CONDENSER
 GPAX-XXXX-CO 2.5 - 5 TON



| | | |
|--------------|------------|-------------|
| DRAWN BY : | RRK | SCALE: NONE |
| CHECKED BY : | | SH 2 OF 2 |
| DATE : | 04-26-2016 | REV E |

PART OF

573-900-003
 DWG NO.