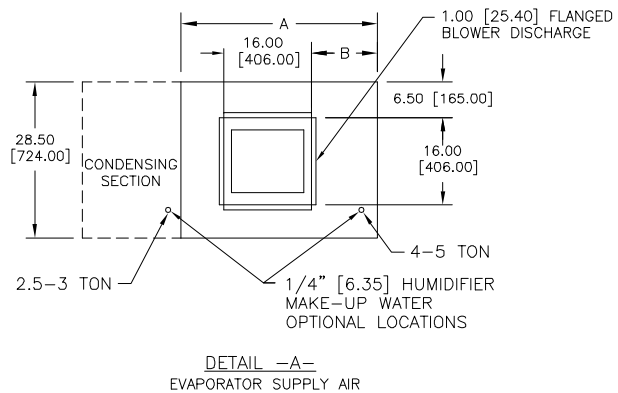
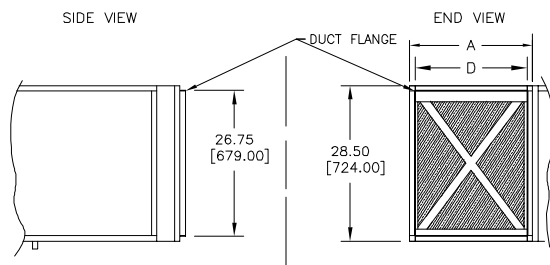


REVISIONS				
REV	DESCRIPTION	DATE	BY	CHKBY
C	REMOVED "-P" FROM DRAWING TITLE	11-19-18	MTC	DM

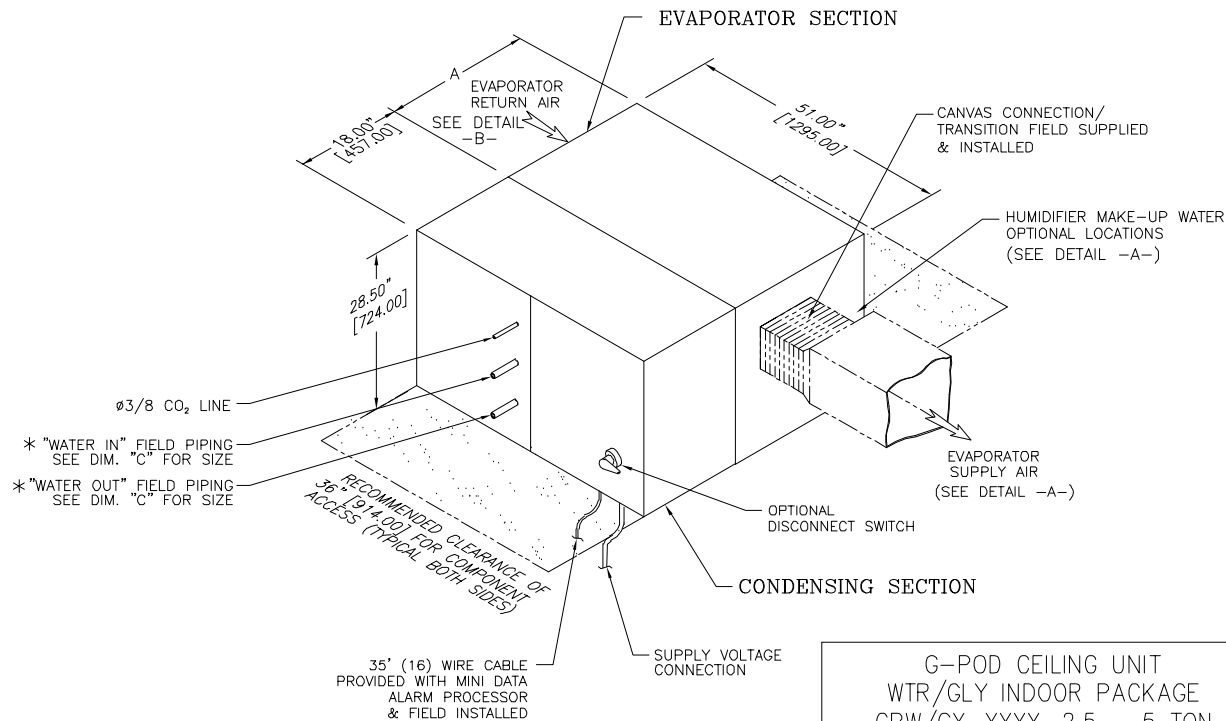
UNIT SIZE	A	B	*C	D
2 1/2 & 3 TON	26.50 [673.00]	3.25 [83.00]	3/4" [19.05] OD	24.63 [625.00]
4 & 5 TON	36.00 [914.00]	9.50 [241.00]	1-1/8" [29.00] OD	34.25 [870.00]



DETAIL -A-
EVAPORATOR SUPPLY AIR



DETAIL -B-
EVAPORATOR RETURN AIR



NOTES:

- △ SEE DRAWING NO. 535-900-013 FOR INSTALLATION AND HARDWARE.
- △ ALL UNIT DIMENSIONS ARE IN INCH [mm]

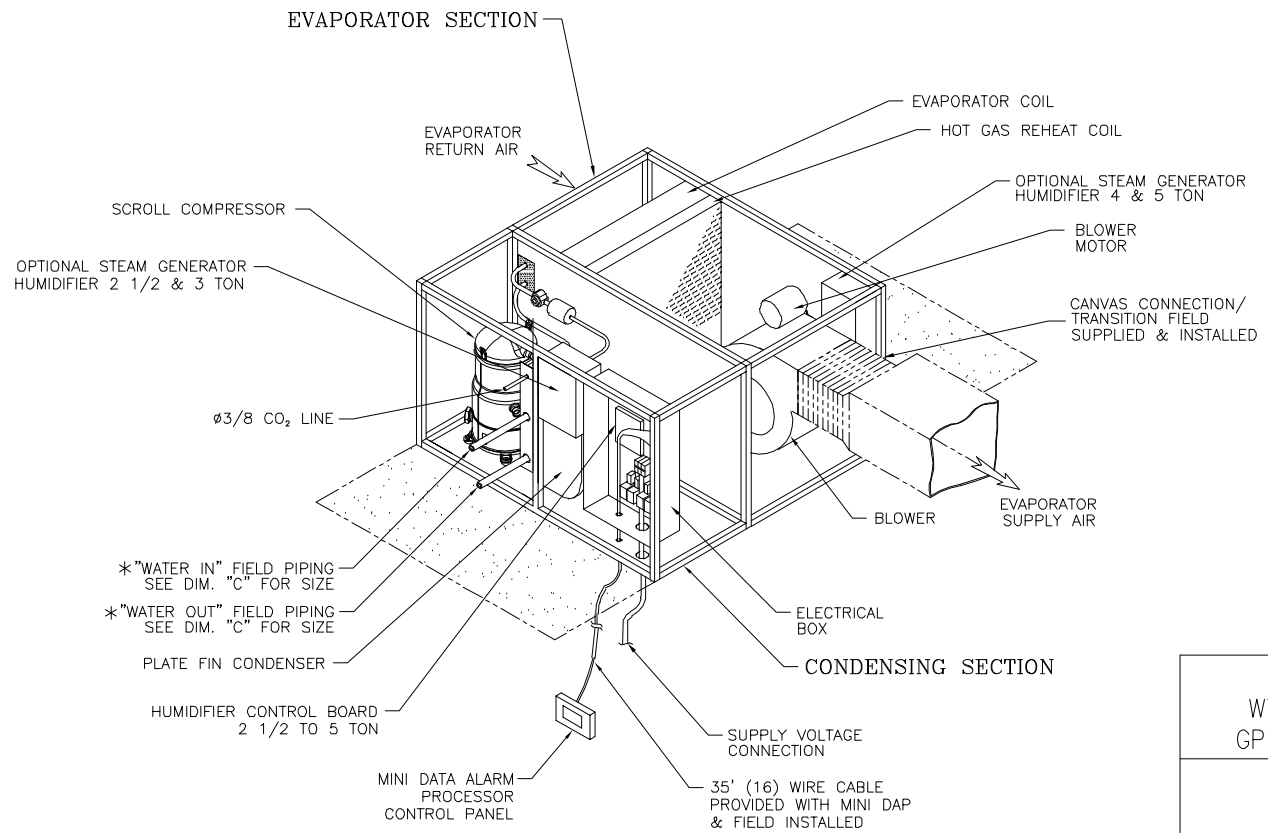
G-POD CEILING UNIT
WTR/GLY INDOOR PACKAGE
GPW/GX-XXXX, 2.5 - 5 TON

dataaire

DRAWN BY :	RRK	SCALE: NONE
CHECKED BY :	SI	SH 1 OF 2
DATE :	04-20-2016	REV C

PART OF

573-900-010
DWG NO.



G-POD CEILING UNIT
WTR/GLY INDOOR PACKAGE
GPW/GX-XXXX, 2.5 - 5 TON

dataaire

DRAWN BY :	RRK	SCALE: NONE
CHECKED BY :	SI	SH 2 OF 2
DATE :	04-20-2016	REV C

PART OF

573-900-010
DWG NO.

UNIT SIZE	FILTER SIZE					
2 1/2 & 3 TON	(1) 20"	[508.00]	X 25"	[635.00]	X 2"	[51.00]
4 & 5 TON	(1) 16"	[406.00]	X 25"	[635.00]	X 2"	[51.00]
	(1) 20"	[508.00]	X 25"	[635.00]	X 2"	[51.00]