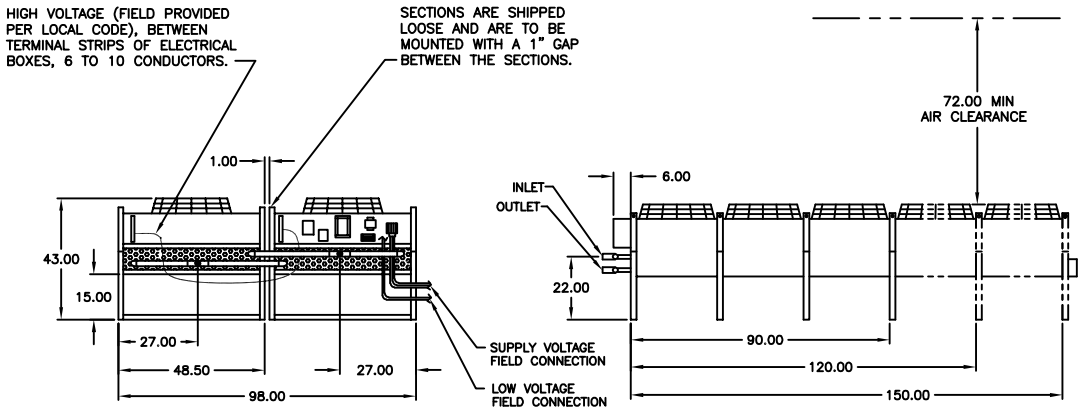
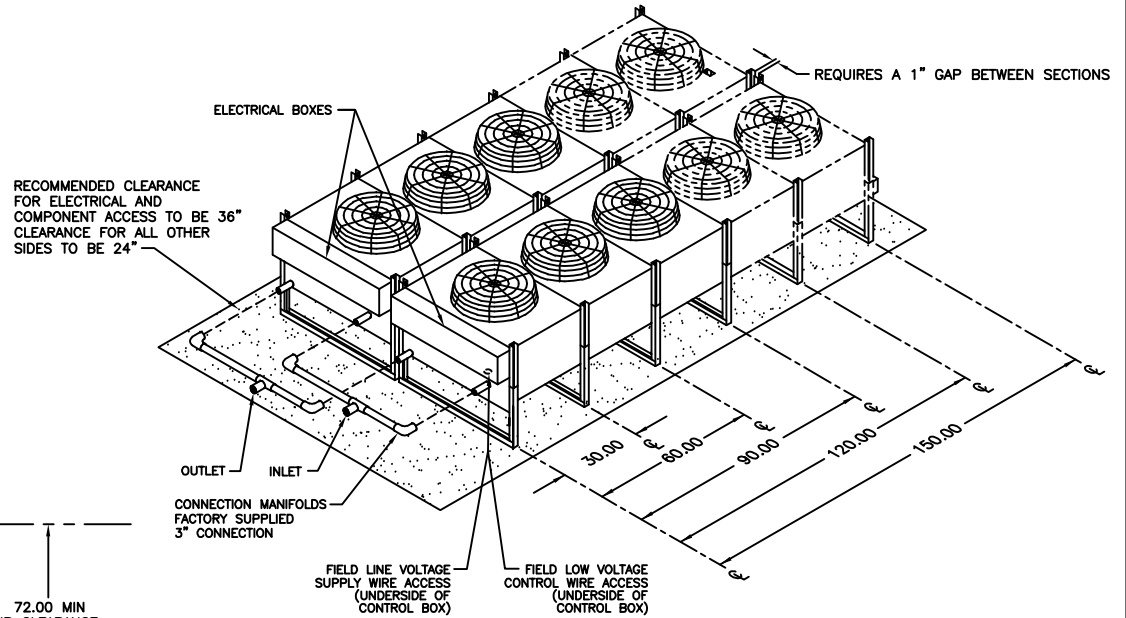


NOTES:

1. ALL INLET AND OUTLET PIPE CONNECTION SIZES ARE 2 5/8" WITHOUT MANIFOLD, OR 3" WITH MANIFOLD.
2. A DOUBLE WIDE FLUID COOLER SHIPS AS TWO EQUALLY SIZED SECTIONS THAT MUST BE MOUNTED SIDE BY SIDE AND RE-CONNECTED UPON INSTALLATION. THE PIPING CAN BE JOINED USING A FACTORY PROVIDED MANIFOLD KIT. A SINGLE SOURCE OF LINE VOLTAGE POWER IS REQUIRED. HIGH VOLTAGE WIRING FROM ONE ELECTRICAL BOX TO THE OTHER IS REQUIRED. THE SECTION ON THE RIGHT HAS A COMPLETE ELECTRICAL BOX. THE OTHER HAS AN ELECTRICAL BOX THAT ONLY HAS A TERMINAL BLOCK. WIRING MUST BE FIELD CONNECTED BETWEEN THE ELECTRICAL BOX OF THE RIGHT SECTION TO THE ELECTRICAL BOX ON THE LEFT. FANS WILL CYCLE IN BANKS OF TWO. REFER TO LOCAL ELECTRICAL CODES. LOW DECIBEL FLUID COOLERS HAVE "LD" AT END OF MODEL NUMBER.
3. UNIT WEIGHT IS AN ESTIMATED UNCRATED WEIGHT.
4. TOTAL LENGTH IS INCLUSIVE OF FAN LENGTH, AND ELECTRICAL BOX.

REVISIONS				
REV	DESCRIPTION	DATE	BY	CHKBY
C	REVISED STANDARD FLUID COOLER MOTOR FLA	04-07-20	EB	BM



MODEL NUMBER	TOTAL LENGTH	UNIT NET WT.	QTY. MOTORS
DAFC 57	98-1/4"	1330	6
DAFC 61	128-1/4"	1490	8
DAFC 75	128-1/4"	1690	8
DAFC 80	128-1/4"	2200	8
DAFC 88	158-1/4"	2920	10
DAFC 100	158-1/4"	3120	10

STANDARD FLUID COOLER					
H.P.	RPM	TOTAL CFM	MOTOR FLA		
			208/230V	460V	
3/4	1075	29,500	21.6	10.8	
3/4	1075	40,000	28.8	14.4	
3/4	1075	39,000	28.8	14.4	
3/4	1075	38,000	28.8	14.4	
3/4	1075	49,000	36.0	18.0	
3/4	1075	48,000	36.0	18.0	

LOW DECIBEL FLUID COOLER					
H.P.	RPM	TOTAL CFM	MOTOR FLA		
			208/230V	460V	
1/2	850	23,600	19.2	9.6	
1/2	850	32,000	25.6	12.8	
1/2	850	31,200	25.6	12.8	
1/2	850	30,400	25.6	12.8	
1/2	850	39,200	32.0	16.0	
1/2	850	38,400	32.0	16.0	

DAFC MODEL 57-100 TON
DOUBLE WIDE
FLUID COOLERS

DRAWN BY : GABE SCALE: NONE

CHECKED BY : SH 1 OF 1

DATE : 05-26-2010 REV C

PART OF

600-000-821
DWG NO.