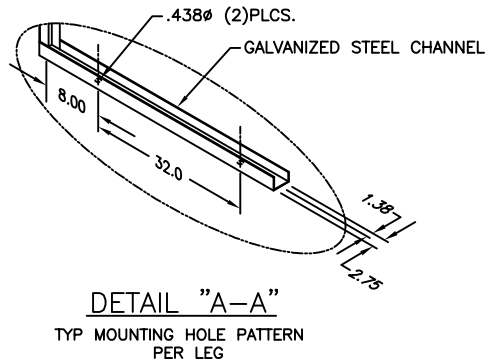
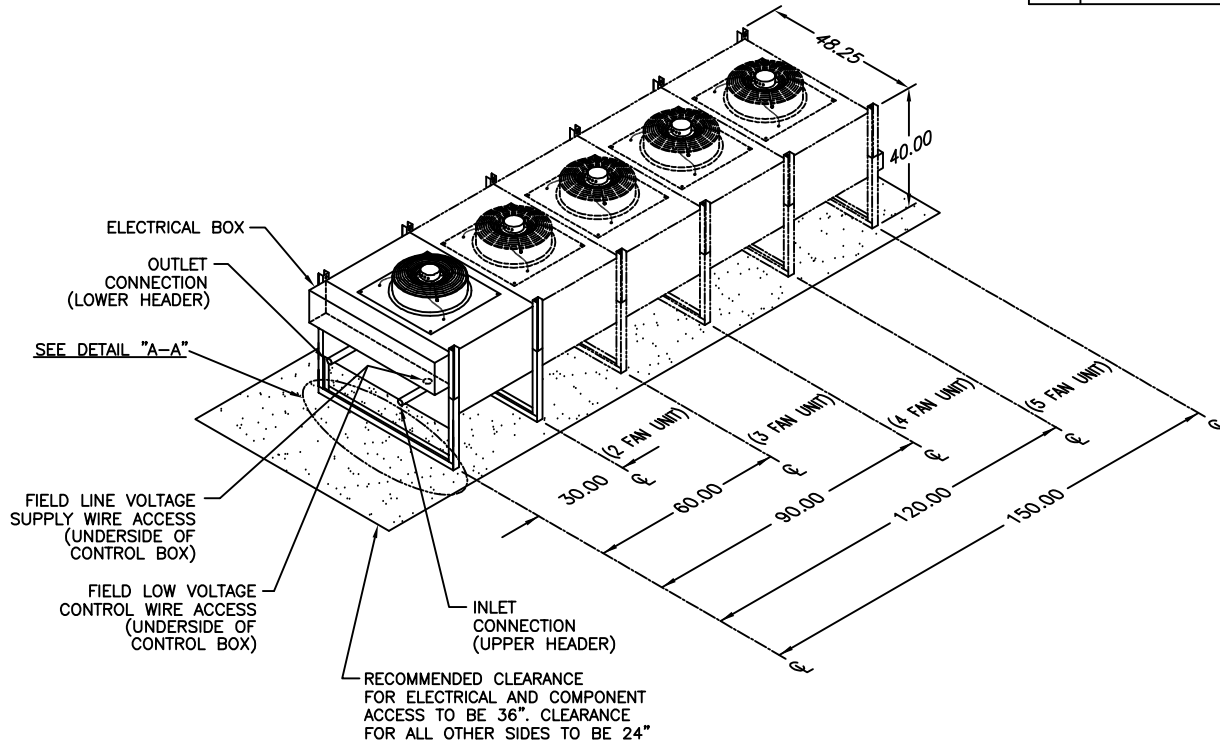


REVISIONS				
REV	DESCRIPTION	DATE	BY	CHKBY
D	REVISED PIPE CONNECTION SIZES	05-22-19	RK	DM



NOTE: UNIT WEIGHT IS AN ESTIMATED UNCRATED WEIGHT.

MODEL NUMBER	LENGTH	UNIT NET WT.#	PIPE CONNECTION SIZES (COPPER STUB.Ø)		QTY. MOTORS	STANDARD FLUID COOLER				
			INLET	OUTLET		KW	RPM	TOTAL CFM	MOTOR FLA	
									208/230V	480V
GHFC 021	32-1/4"	280	1-5/8	1-5/8	1	1.04	1450	5000	3.3	1.7
GHFC 025	32-1/4"	295	1-5/8	1-5/8	1	1.04	1450	4900	3.3	1.7
GHFC 032	32-1/4"	310	1-5/8	1-5/8	1	1.04	1450	4800	3.3	1.7
GHFC 039	62-1/4"	420	2-1/8	2-1/8	2	1.04	1450	10400	6.6	3.4
GHFC 053	62-1/4"	435	2-1/8	2-1/8	2	1.04	1450	10000	6.6	3.4
GHFC 060	62-1/4"	460	2-1/8	2-1/8	2	1.04	1450	9800	6.6	3.4
GHFC 074	92-1/4"	750	2-1/8	2-1/8	3	1.04	1450	15000	9.9	5.1
GHFC 084	92-1/4"	780	2-1/8	2-1/8	3	1.04	1450	14750	9.9	5.1
GHFC 099	92-1/4"	875	2-1/8	2-1/8	3	1.04	1450	14500	9.9	5.1
GHFC 106	122-1/4"	900	2-5/8	2-5/8	4	1.04	1450	20000	13.0	6.8
GHFC 130	122-1/4"	940	2-5/8	2-5/8	4	1.04	1450	19500	13.0	6.8
GHFC 141	122-1/4"	970	2-5/8	2-5/8	4	1.04	1450	19000	13.0	6.8
GHFC 155	152-1/4"	1100	2-5/8	2-5/8	5	1.04	1450	24500	17.0	8.5
GHFC 176	152-1/4"	1200	2-5/8	2-5/8	5	1.04	1450	24000	17.0	8.5

GHFC 021-176 KW
FLUID COOLERS
WITH E/C FAN SYSTEM

dataaire

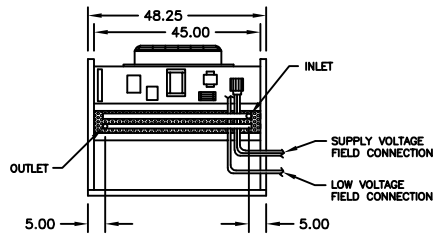
DRAWN BY : J. PATTON SCALE: NONE

CHECKED BY : SH 1 OF 2

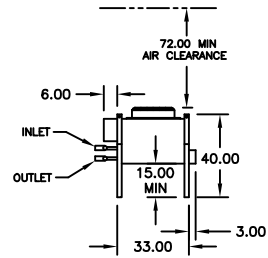
DATE : 11-17-2010 REV D

FLUID COOLERS
PART OF

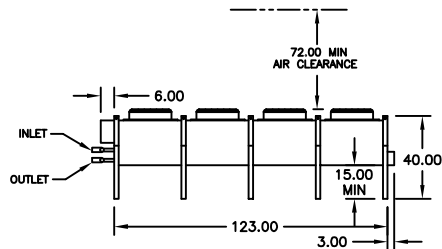
600-000-880
DWG NO.



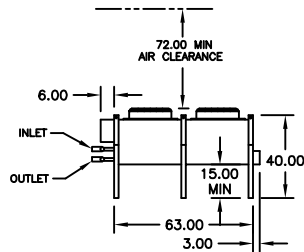
END VIEW CONNECTION LOCATION



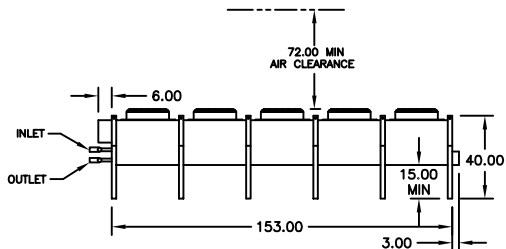
1 FAN UNIT, MODEL 021 THRU 032



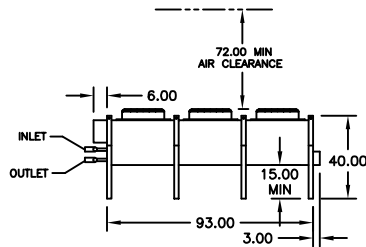
4 FAN UNIT, MODEL 106 THRU 141



2 FAN UNIT, MODEL 039 THRU 060



5 FAN UNIT, MODEL 155 THRU 176



3 FAN UNIT, MODEL 074 THRU 099

GHFC 021-176 KW
FLUID COOLERS
WITH E/C FAN SYSTEM



DRAWN BY : J. PATTON SCALE: NONE

CHECKED BY : SH 2 OF 2

DATE : 11-17-2010 REV D

FLUID COOLERS
PART OF

600-000-880
DWG NO.