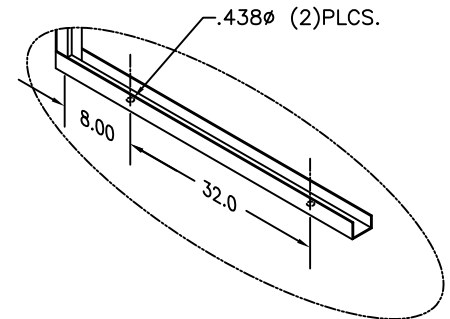
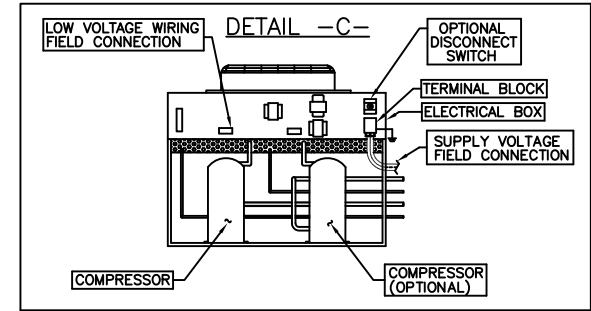
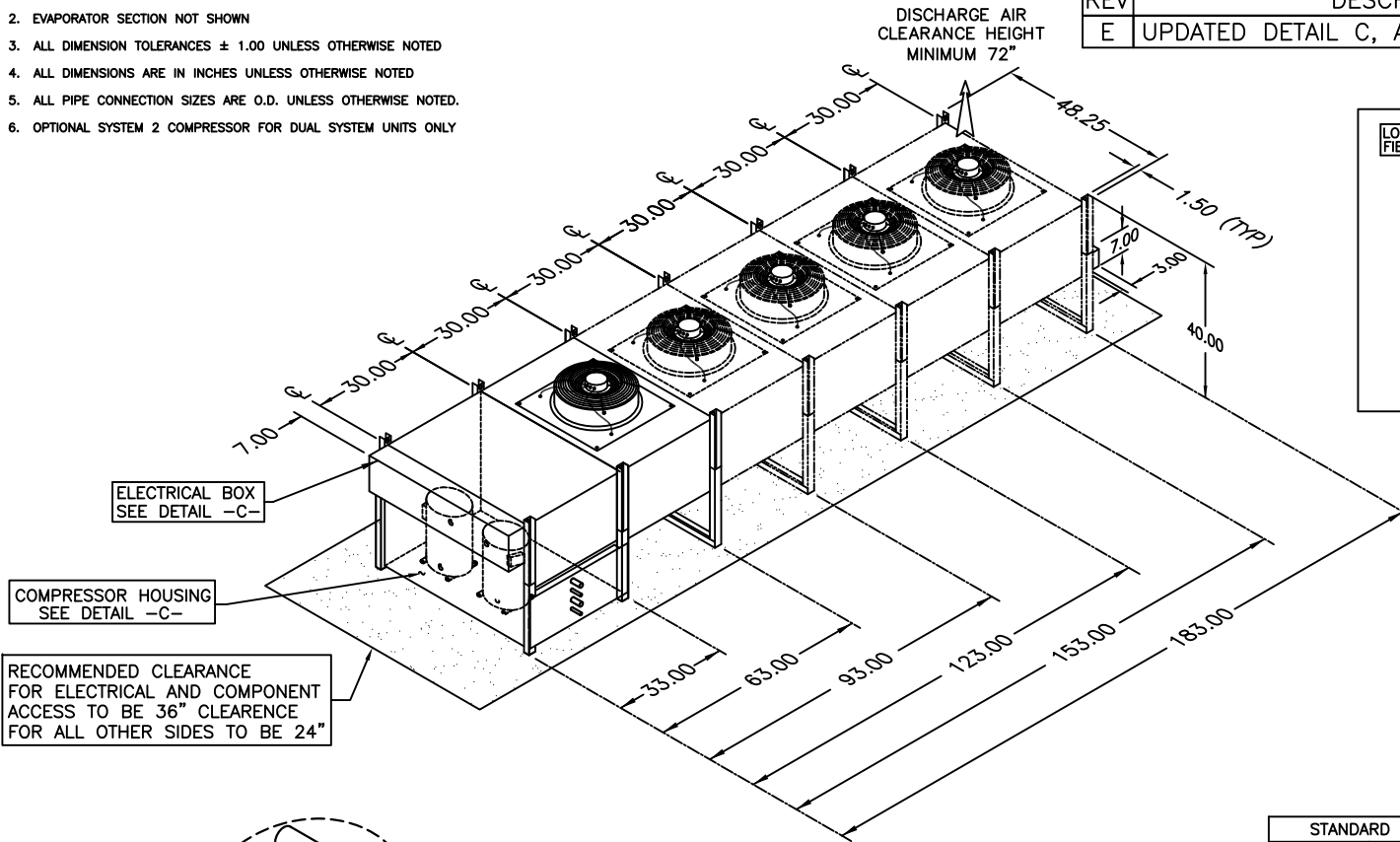


NOTES:

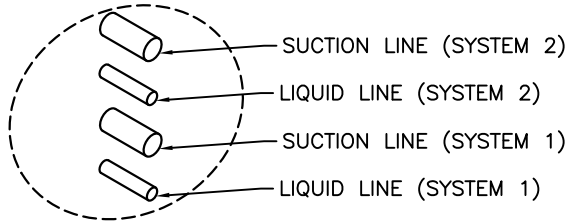
1. CONNECTION SIZES ARE NOT NECESSARILY THE RECOMMENDED FIELD PIPING SIZES
2. EVAPORATOR SECTION NOT SHOWN
3. ALL DIMENSION TOLERANCES ± 1.00 UNLESS OTHERWISE NOTED
4. ALL DIMENSIONS ARE IN INCHES UNLESS OTHERWISE NOTED
5. ALL PIPE CONNECTION SIZES ARE O.D. UNLESS OTHERWISE NOTED.
6. OPTIONAL SYSTEM 2 COMPRESSOR FOR DUAL SYSTEM UNITS ONLY

REVISIONS				
REV	DESCRIPTION	DATE	BY	CHKBY
E	UPDATED DETAIL C, ADDED PIPING DETAIL	11-22-17	MTC	AD



TYP MOUNTING HOLE PATTERN PER LEG

RECOMMENDED CLEARANCE FOR ELECTRICAL AND COMPONENT ACCESS TO BE 36" CLEARANCE FOR ALL OTHER SIDES TO BE 24"



PIPING DETAIL

TONNAGE PER COMPRESSOR	PIPE CONNECTION SIZE	
	LIQUID LINE	SUCTION LINE
3	1/2"	7/8"
4	1/2"	7/8"
5	1/2"	1-1/8"
6	5/8"	1-1/8"
8	5/8"	1-3/8"
10	5/8"	1-3/8"
13	7/8"	1-3/8"
15	7/8"	1-3/8"

STANDARD CONDENSER		
MODEL NUMBER	QTY. MOTORS	TOTAL CFM
GHCU 025	1	4900
GHCU 032	1	4800
GHCU 039	2	10400
GHCU 053	2	10000
GHCU 060	2	9800
GHCU 074	3	15000
GHCU 084	3	14750
GHCU 099	3	14500
GHCU 106	4	20000
GHCU 130	4	19500
GHCU 141	4	19000
GHCU 155	5	24500
GHCU 176	5	24000

GHCU 025-176 KW SINGLE & DUAL
CIRCUIT AIR COOLED CONDENSING UNITS
WITH E/C FANS & SCROLL COMPRESSORS

DRAWN BY : J. PERKINS SCALE: NONE
 CHECKED BY : G. MAGAÑA SH 1 OF 1
 DATE : 01-17-12 REV E

PART OF
600-000-987
 DWG NO.