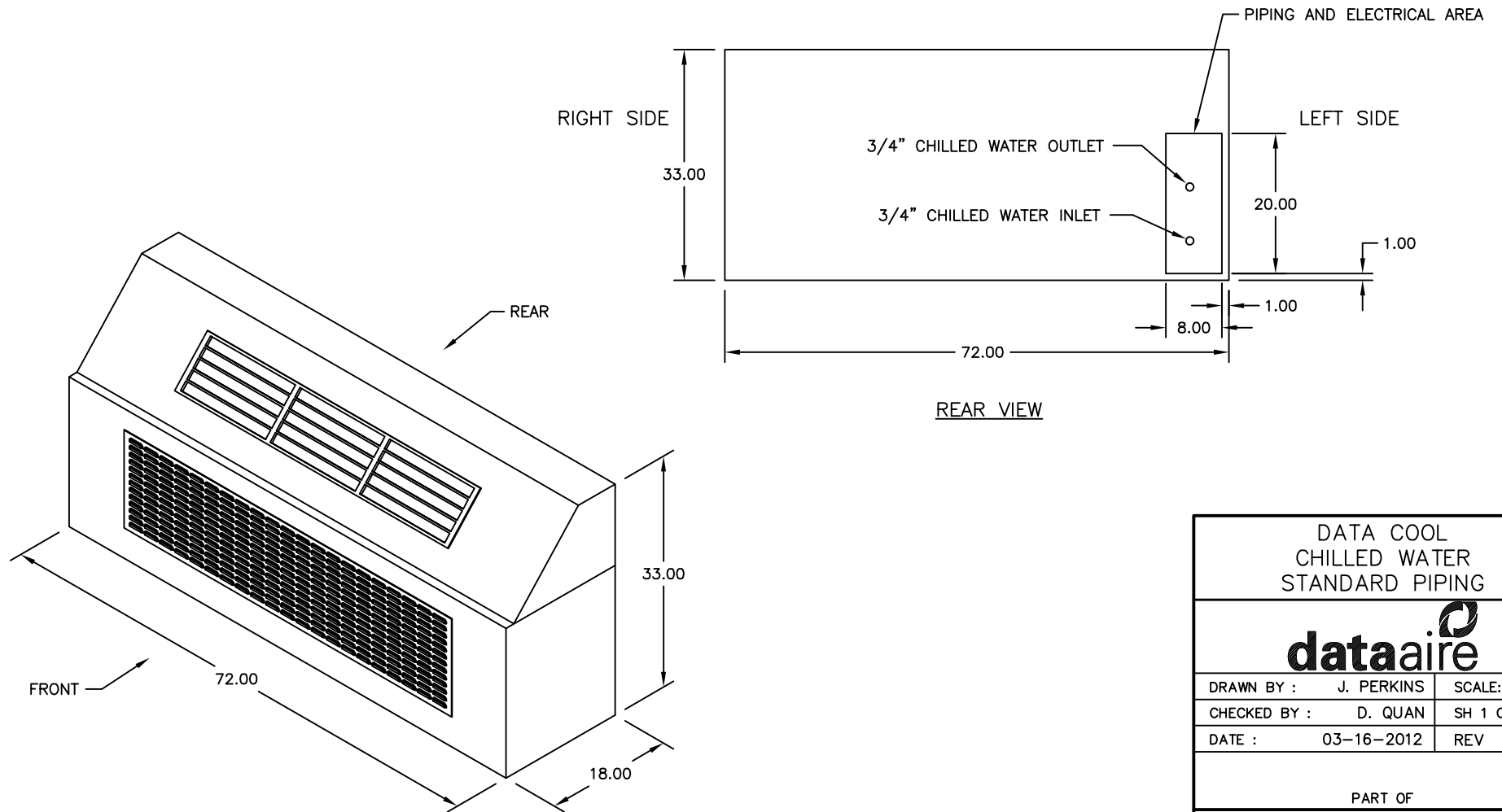



REVISIONS				
REV	DESCRIPTION	DATE	BY	CHKBY
B	UPDATE TITLEBLOCK LOGO	01-19-18	JAP	RV



DATA COOL CHILLED WATER STANDARD PIPING			
			
DRAWN BY : J. PERKINS		SCALE: NONE	
CHECKED BY : D. QUAN		SH 1 OF 1	
DATE : 03-16-2012		REV	B
PART OF			
600-001-003			
DWG NO.			