

**NOTES:**

1. "C" = CUSTOMER REQUESTED HEIGHT DIMENSION

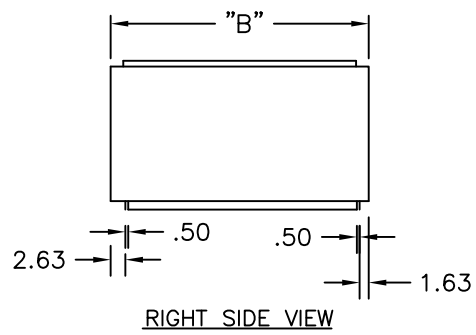
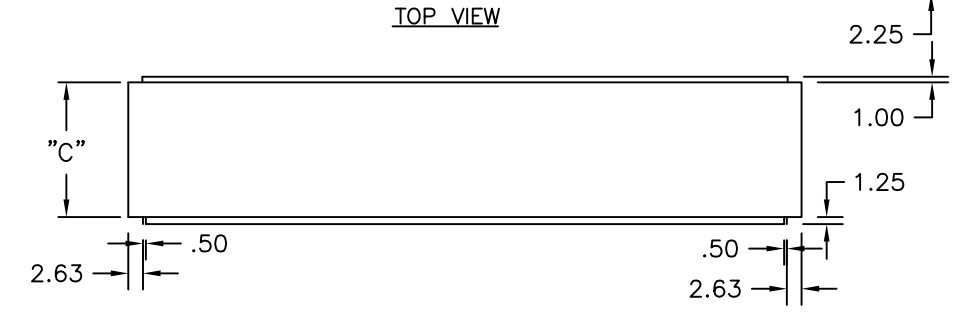
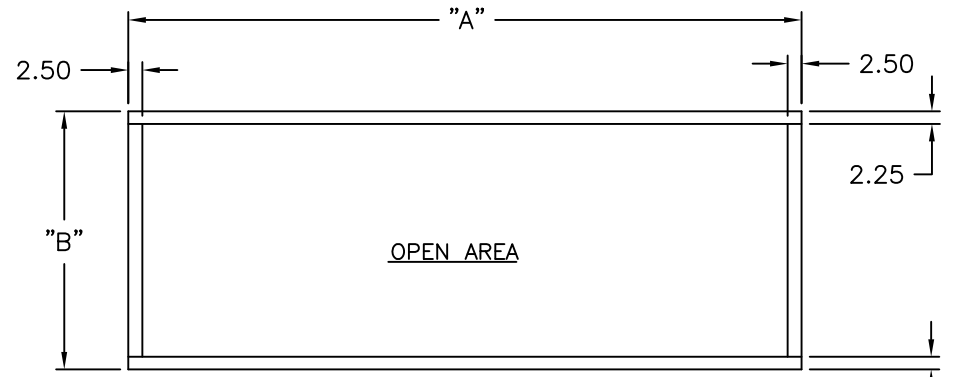
REVISIONS				
REV	DESCRIPTION	DATE	BY	FROM
B	UPDATED TABLES AND DRAWING	06-30-21	RV	AT

gFORCE UNITS					34.5" CAB
MODEL	COOLING	UNIT SIZE (kw)	DIM 'A'	DIM 'B'	DIM 'B'
GTXD	GT-DX	07,11,14,18	36"	40 1/2"	34 1/2"
GTXD	GT-DX	28,35,46	53 1/2"	40 1/2"	34 1/2"
GT-DX W/COMPRESSOR		28,35,46	55"	40 1/2"	34 1/2"
GTXD	DX	21,28,35,46	72 1/2"	40 1/2"	34 1/2"
GTXD	DX	56,70,91	100"	40 1/2"	34 1/2"
GTXD	DX	106	130"	40 1/2"	34 1/2"
GFAD-E/C	DX-E/C	21,28,35,46	72 1/2"	40 1/2"	34 1/2"
GFAD-E/C	DX-E/C	56,70,91	100"	40 1/2"	34 1/2"
GFAD-E/C	DX-E/C	106	130"	40 1/2"	34 1/2"
GFCD	CW	7,11,14,18	36"	40 1/2"	34 1/2"
GFCD	CW	25,32,39,46	49 1/2"	40 1/2"	34 1/2"
GFCD	CW	53,63,77,91	83"	40 1/2"	34 1/2"
GFCD	CW	106	106"	40 1/2"	34 1/2"
GFCD	CW	141,158,176	120"	40 1/2"	34 1/2"
GFCD	CW	211	120"	46"	N/A
GUXD	DX	22	53.5"	40 1/2"	34 1/2"
GUXD	DX	36,45	72 1/2"	40 1/2"	34 1/2"
GUXD	DX	56,70	106"	40 1/2"	34 1/2"
GUXD	DX	106	139 1/2"	40 1/2"	34 1/2"

gFORCE ULTRA UNITS					34.5" CAB
MODEL	COOLING	UNIT SIZE (kw)	DIM 'A'	DIM 'B'	DIM 'B'
GUXD	DX	22	53 1/2"	40 1/2"	34 1/2"
GUXD	DX	36,45	72 1/2"	40 1/2"	34 1/2"
GUXD	DX	70,91	106"	40 1/2"	34 1/2"
GUXD-125	DX	125	139 1/2"	40 1/2"	34 1/2"

DATA AIRE UNITS				
MODEL	COOLING	UNIT SIZE (TON)	DIM 'A'	DIM 'B'
DAXD	DX	6,8,10	62 1/2"	34 1/2"
DAXD	DX	13	75"	34 1/2"
DAXD	DX	16,20,26	94"	34 1/2"
DAXD	DX	30	125"	34 1/2"
DAXD-E/C	DX-E/C	6,8,10	62 1/2"	40 1/2"
DAXD-E/C	DX-E/C	13	75"	40 1/2"
DAXD-E/C	DX-E/C	16,20,26	94"	40 1/2"
DAXD-E/C	DX-E/C	30	125"	40 1/2"
DAXD	CW	07,09,11,13	43 1/2"	34 1/2"
DAXD	CW	15,18,22,26	75"	34 1/2"
DAXD	CW	30	94"	34 1/2"
DAXD	CW	40,45,50	125 1/2"	34 1/2"

DATA TEMP UNITS				
MODEL	COOLING	UNIT SIZE (TON)	DIM 'A'	DIM 'B'
DTXD	DX	2,3,4,5	36"	34 1/2"
DTXD	DX	8,10,13	49"	34 1/2"
DTCD	CW	2,3,4,5	36"	34 1/2"
DTXD-E/C	DX-E/C	2,3,4,5	41"	34 1/2"



RETURN AIR PLENUM  
FOR DOWN FLOW UNITS

**dataaire**

DRAWN BY :	D.Q	SCALE: NONE
CHECKED BY :		SH 1 OF 1
DATE :	02-11-2015	REV B

PART OF

**600-001-301**  
DWG NO.