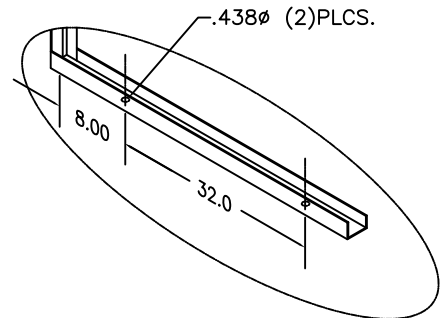
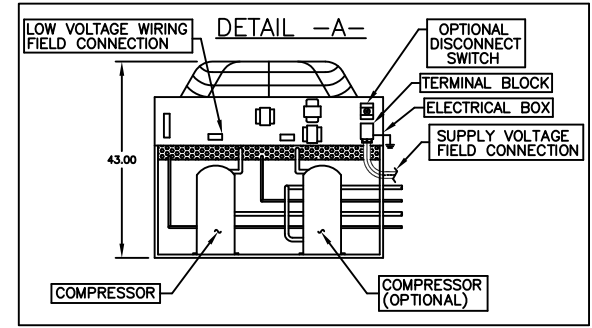
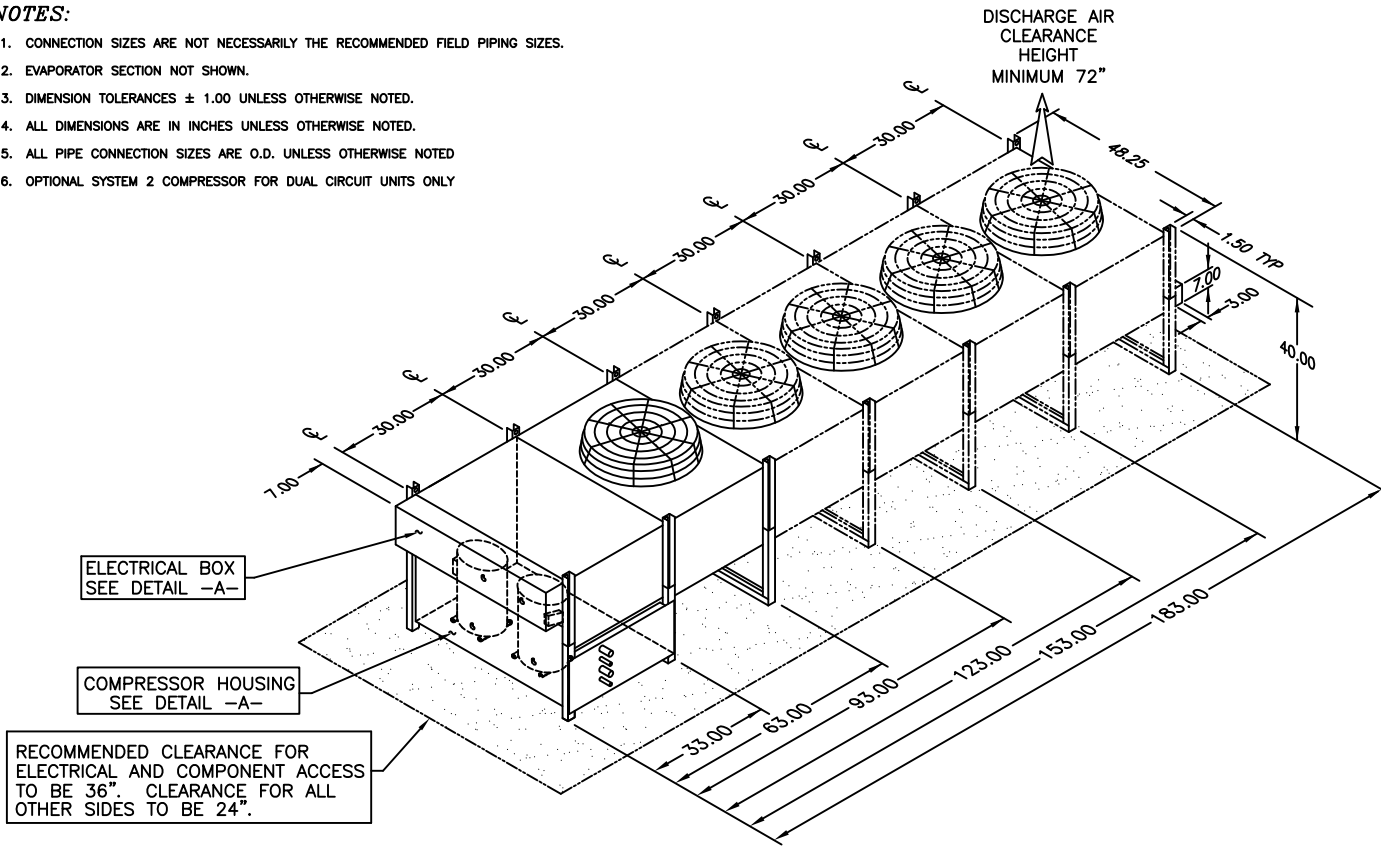


NOTES:

1. CONNECTION SIZES ARE NOT NECESSARILY THE RECOMMENDED FIELD PIPING SIZES.
2. EVAPORATOR SECTION NOT SHOWN.
3. DIMENSION TOLERANCES ± 1.00 UNLESS OTHERWISE NOTED.
4. ALL DIMENSIONS ARE IN INCHES UNLESS OTHERWISE NOTED.
5. ALL PIPE CONNECTION SIZES ARE O.D. UNLESS OTHERWISE NOTED
6. OPTIONAL SYSTEM 2 COMPRESSOR FOR DUAL CIRCUIT UNITS ONLY

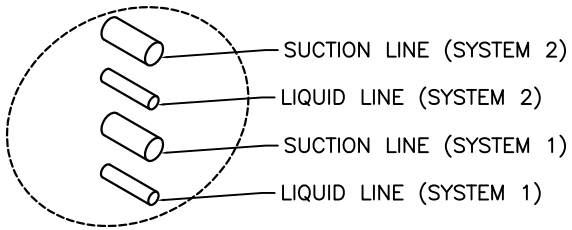


TYP MOUNTING HOLE PATTERN PER LEG

RECOMMENDED CLEARANCE FOR ELECTRICAL AND COMPONENT ACCESS TO BE 36". CLEARANCE FOR ALL OTHER SIDES TO BE 24".

ELECTRICAL BOX SEE DETAIL -A-

COMPRESSOR HOUSING SEE DETAIL -A-



PIPING DETAIL

TONNAGE PER COMPRESSOR	PIPE CONNECTION SIZE	
	LIQUID LINE	SUCTION LINE
3	1/2"	7/8"
4	1/2"	7/8"
5	1/2"	1-1/8"
6	5/8"	1-1/8"
8	5/8"	1-3/8"
10	5/8"	1-3/8"
13	7/8"	1-3/8"
15	7/8"	1-3/8"

STANDARD CONDENSER		
MODEL NUMBER	QTY. MOTORS	TOTAL CFM
DRCU 07	1	4900
DRCU 09	1	4800
DRCU 11	2	10400
DRCU 15	2	10000
DRCU 17	2	9800
DRCU 21	3	15000
DRCU 24	3	14750
DRCU 28	3	14500
DRCU 30	4	20000
DRCU 37	4	19500
DRCU 40	4	19000
DRCU 44	5	24500
DRCU 50	5	24000

DRCU 07 TO 50
REMOTE CONDENSING UNIT WITH
SINGLE & DUAL UP TO 15 TON
SCROLL COMPRESSORS

DRAWN BY : M. COCHRAN SCALE: NONE
CHECKED BY : A. DELGADO SH 1 OF 1
DATE : 11-22-2017

PART OF
600-001-864
DWG NO.