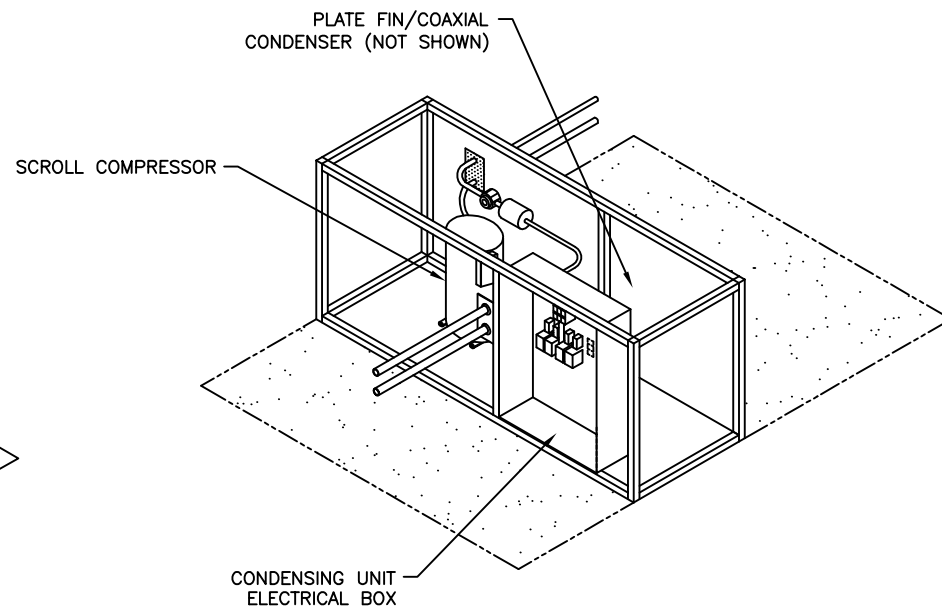


DIMENSIONAL VIEW



COMPONENT VIEW

MINI-PLUS INDOOR SPLIT  
 DAWC CONDENSING SECTION  
 2.5, 3, 4 & 5 TON

**dataaire**

DRAWN BY :	RKALIN	SCALE: NONE
CHECKED BY :	DMCINNIS	SH 1 OF 1
DATE :	01-10-2018	REV   -

PART OF

**600-001-890**  
 DWG NO.