

# **AIR COOLED CONDENSERS with EC Axial Fans**

## **SELECTION GUIDE**





## TABLE OF CONTENTS

---

EC Fan Remote Outdoor Type Model GHRC.....	4
Model Identification.....	4
Condenser Selection Chart.....	5
Condenser Capacities .....	6
Condenser Electrical Data .....	7

## EC FAN REMOTE OUTDOOR TYPE MODEL GHRC

Unit cabinets are constructed of heavy gauge aluminum, thoroughly reinforced with riveted gussets.

Fan outlets provide additional strength to fan panel and assure even airflow for quiet operation.

Mounting legs are constructed of heavy gauge galvanized steel and are shipped with the unit for field installation.

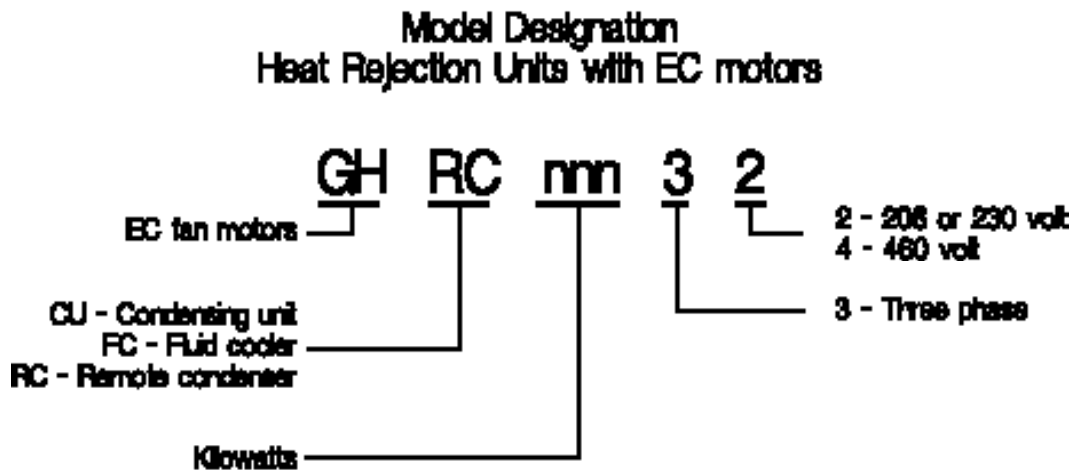
The condenser coil is constructed of plate type die formed, aluminum fins mechanically bonded to copper tubes and employ full height, self-spacing collars which completely cover the tube surface. The coil is pressure and leak tested at 425 PSIG air under warm water, evacuated, dehydrated, and sealed with caps on connections.

Axial type electronically commutated (EC) fans, carefully matched to the coil, cover a large percentage of the coil face area providing a uniform air distribution. The direct drive fans have plastic blades securely fastened to the EC motor rotor. All fans are statically and dynamically balanced before shipment and operate at low tip speeds for minimum vibration and low sound levels.

The fan motors are energy efficient electronically commutated external rotor three phase motors with maintenance free permanently lubricated ball bearings and integrated electronics. All motors are soft start, integrated current limiting and variable speed.

All motors are factory wired with leads terminating in a weather-protected junction box located on the outside of the unit casing. Fan motors are 1.04 kW, variable speed. Condensers for systems with fixed speed compressors (installed either in the evaporator or condenser section) are operational to an outdoor ambient temperature of -20°F without any additional options. For operation below -20°F, a low ambient receiver package must be selected which will allow operation down to -30°F. Condensers that are selected to operate at 110°F and above can only operate down to 0°F, otherwise a low ambient receiver is recommended for operation below 0°F. gForce Ultra and gForce In-Row units with variable speed compressors are rated for operation down to 0°F and require a low ambient receiver package to be operational down to -30°F.

The fan guards are constructed of heavy gauge, close meshed steel wire phosphated and coated in plastic for corrosion resistance. All Data Aire GHRC type condensers are E.T.L. listed.



## GHRC Condenser Selection Chart

Model	THR	Ambient Temperature					
		95°		100°		105°	
		Condenser	MBH	Condenser	MBH	Condenser	MBH
<b><u>MINI Ceiling</u></b>							
DAMA 01	18.6	GHRC 011	68	GHRC 011	56	GHRC 011	45
DAMA 1.5	23.5	GHRC 011	68	GHRC 011	56	GHRC 011	45
DAMA 02	28.9	GHRC 011	68	GHRC 011	56	GHRC 011	45
DAMA 2.5	37.8	GHRC 011	68	GHRC 011	56	GHRC 011	45
<b><u>MINI-PLUS Ceiling</u></b>							
DAPA 2.5	34.5	GHRC 011	68	GHRC 011	56	GHRC 011	45
DAPA 03	47.8	GHRC 011	68	GHRC 011	56	GHRC 018	60
DAPA 04	70.4	GHRC 018	90	GHRC 018	75	GHRC 025	75
DAPA 05	86.4	GHRC 018	90	GHRC 018	94	GHRC 025	88
<b><u>LARGE CEILING – Single Circuit</u></b>							
DALA 06	101	GHRC 025	113	GHRC 025	110	GHRC 039	114
DALA 08	113	GHRC 032	143	GHRC 039	142	GHRC 053	158
DALA 10	170	GHRC 039	170	GHRC 053	197	GHRC 060	187
DALA 13	205	GHRC 053	236	GHRC 060	234	GHRC 074	225
<b><u>Dual Circuits</u></b>							
DALA 06	100	GHRC 025	113	GHRC 025	110	GHRC 039	114
DALA 08	135	GHRC 032	143	GHRC 039	142	GHRC 053	158
DALA 10	163	GHRC 039	170	GHRC 053	197	GHRC 060	187
DALA 13	195	GHRC 053	236	GHRC 060	234	GHRC 074	225
<b><u>DATA TEMP</u></b>							
DTAx 02	34.5	GHRC 011	68	GHRC 011	56	GHRC 011	45
DTAx 03	47.8	GHRC 011	68	GHRC 011	56	GHRC 018	60
DTAx 04	70.4	GHRC 018	90	GHRC 018	75	GHRC 025	75
DTAx 05	86.4	GHRC 018	90	GHRC 025	94	GHRC 025	88
<b><u>MODULAR DATA TEMP</u></b>							
DTAx 08	132	GHRC 032	143	GHRC 039	142	GHRC 053	158
DTAx 10	167	GHRC 039	170	GHRC 053	197	GHRC 060	187
DTAx 13	218	GHRC 053	236	GHRC 060	234	GHRC 074	225
<b><u>DATA AIRE</u></b>							
DAAx 06	97	GHRC 025	113	GHRC 025	110	GHRC 039	114
DAAx 08	142	GHRC 032	143	GHRC 039	142	GHRC 053	158
DAAx 10	158	GHRC 039	170	GHRC 053	197	GHRC 060	187
DAAx 13	218	GHRC 053	236	GHRC 060	234	GHRC 074	225
DAAx 16	238	GHRC 060	280	GHRC 074	281	GHRC 084	256
DAAx 20	302	GHRC 074	337	GHRC 084	320	GHRC 106	311
DAAx 26	376	GHRC 099	428	GHRC 106	389	GHRC 141	400
DAAx 30	466	GHRC 106	466	GHRC 141	500	GHRC 176	512
<b><u>gFORCE GT</u></b>							
GTA*007	34.5	GHRC 011	68	GHRC 011	56	GHRC 011	45
GTA*011	47.8	GHRC 011	68	GHRC 011	56	GHRC 018	60
GTA*014	70.4	GHRC 018	90	GHRC 018	75	GHRC 025	75
GTA*018	86.4	GHRC 018	90	GHRC 025	94	GHRC 025	88
<b><u>gFORCE</u></b>							
GFA*021	97	GHRC 025	113	GHRC 025	110	GHRC 039	114
GFA*028	142	GHRC 032	143	GHRC 039	142	GHRC 053	158
GFA*035	158	GHRC 039	170	GHRC 053	197	GHRC 053	187
GFA*046	218	GHRC 053	236	GHRC 060	234	GHRC 074	225
GFA*056	238	GHRC 060	280	GHRC 074	281	GHRC 084	256
GFA*070	302	GHRC 074	337	GHRC 084	320	GHRC 106	611
GFA*091	376	GHRC 099	428	GHRC 106	389	GHRC 141	400
GFA*106	466	GHRC 106	466	GHRC 141	500	GHRC 176	512

## GHRC Condenser Capacities

Model	MBH at 1°TD	MBH at 10°TD	MBH at 15°TD	MBH at 20°TD	MBH at 25°TD	MBH at 30°TD
GHRC 011	2.25	22.5	33.8	45.0	56.3	67.5
GHRC 018	3.01	30.1	45.2	60.2	75.3	90.3
GHRC 025	4.40	44.0	66.0	88.0	110.0	132.0
GHRC 032	4.76	47.6	71.4	95.2	119.0	142.8
GHRC 039	5.68	56.8	85.2	113.6	142.0	170.4
GHRC 053	7.88	78.8	118.2	157.6	197.0	236.4
GHRC 060	9.34	93.4	140.1	186.8	233.5	280.2
GHRC 074	11.23	112.3	168.5	224.6	280.8	336.9
GHRC 084	12.80	128.0	192.0	256.0	320.0	384.0
GHRC 099	14.28	142.8	214.2	285.6	357.0	428.4
GHRC 106	15.54	155.4	233.1	310.8	388.5	466.2
GHRC 130	18.27	182.7	274.1	365.4	456.8	548.1
GHRC 141	20.00	200.0	300.0	400.0	500.0	600.0
GHRC 155	22.46	224.6	336.9	449.2	561.5	673.8
GHRC 176	25.62	256.2	384.4	512.4	640.5	768.6
GHRC 201	28.56	285.6	428.4	571.2	714.0	856.8
GHRC 215	31.08	310.8	466.2	621.6	777.0	932.4
GHRC 264	36.54	365.4	548.1	730.8	913.5	1,096.2
GHRC 281	40.00	400.0	600.0	800.0	1,000.0	1,200.0
GHRC 310	44.92	449.2	673.8	898.4	1,123.0	1,347.6
GHRC 352	51.24	512.4	768.8	1,024.8	1,281.0	1,537.2
TD – Temperature difference between the condensing temperatures minus the ambient temperature.						

## GHRC Condenser Electrical Data

Model	208/3/60 FLA/MCA/MOP	460/3/60 FLA/MCA/MOP
GHRC 011	3.3/4.1/15	1.7/2.1/15
GHRC 018	3.3/4.1/15	1.7/2.1/15
GHRC 025	3.3/4.1/15	1.7/2.1/15
GHRC 032	3.3/4.1/15	1.7/2.1/15
GHRC 039	6.6/7.4/15	3.4/3.8/15
GHRC 053	6.6/7.4/15	3.4/3.8/15
GHRC 060	6.6/7.4/15	3.4/3.8/15
GHRC 074	9.9/11/15	5.1/5.5/15
GHRC 084	9.9/11/15	5.1/5.5/15
GHRC 099	9.9/11/15	5.1/5.5/15
GHRC 106	13/14/15	6.8/7.2/15
GHRC 130	13/14/15	6.8/7.2/15
GHRC 141	13/14/15	6.8/7.2/15
GHRC 155	17/17/20	8.5/8.9/15
GHRC 176	17/17/20	8.5/8.9/15
GHRC 201	20/21/25	10/11/15
GHRC 215	26/27/30	14/14/15
GHRC 264	26/27/30	14/14/15
GHRC 281	26/27/30	14/14/15
GHRC 310	33/34/45	17/17/20
GHRC 352	33/34/45	17/17/20



230 W. BlueRidge Avenue  
Orange, CA 92865  
800-347-2473  
[www.dataaire.com](http://www.dataaire.com)  
[sales@dataaire.com](mailto:sales@dataaire.com)

**ISO 9001-2015 Certified**

© Copyright 2019 Data Aire, Inc.  
A member of the CS Group of Companies  
Making Products That Make Building Better