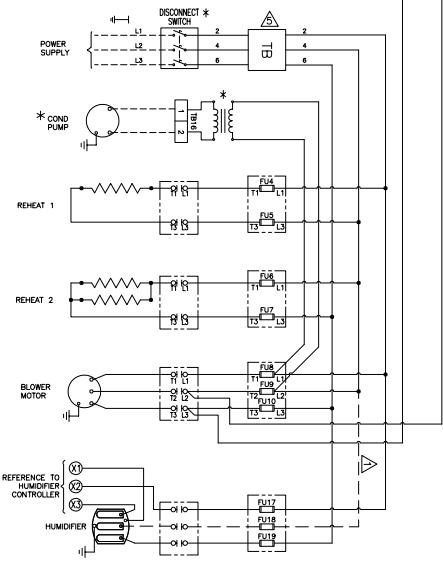
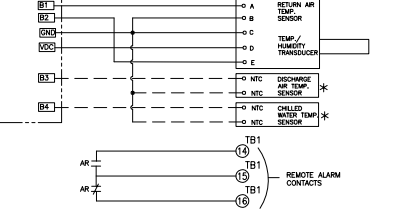


HIGH VOLTAGE WIRING



***** TABLE FOR TEMP AND HUMIDITY SENSOR CONNECTIONS *****



***** TEMP. AND HUMIDITY SENSOR CONNECTION *****

	A	B	C	D	E
ACI UNIT MOUNT	ORG	GRY	COM	Vin	4-20 mA
REMOTE MOUNT	+	-	COM	Vin	4-20 mA
CAREL UNIT AND REMOTE MOUNT	NTC	NTC	M	G+	OUTH

PANEL LEGEND

- ACC ALARM COMPRESSOR CONTACT
- ALN ALARM RETURN
- ARV ALARM VOLTAGE
- AVC AUXILIARY CONTACT ON COMPRESSOR
- BCR BLOWER CONTACT
- CBT CIRCUIT BREAKER
- CCM COMPRESSOR CONTACTOR
- CCF COMPRESSOR FUSE
- DDP DIFFERENTIAL PRESSURE SWITCH
- DIS DISCONNECT SWITCH
- EXP EXPANSION MODULE
- FIS FLOW SWITCH
- HCN HUMIDIFIER CONTACTOR
- HGS HOT GAS SENSING
- HHP HIGH PRESSURE CONTACT
- HIF HIGH PRESSURE FUSE
- HIT HEATER CONTACT
- HTF HEATER FUSE
- LIQ LIQUID LINE ISOLATION TRANSFORMER
- MOL MANUAL OVERRIDE SWITCH BOARD
- MOS MOTOR OVERLOAD
- SSS SURGE SUPPRESSOR
- TDO THERMAL DUCT OUTLET
- TDE THERMAL DUCT INLET
- TDL TIME DELAY
- TDI THERMAL DUCT INLET
- TDL THERMAL DUCT INLET
- WS WATER SENSING CHANGEOVER THERMOSTAT

- = TERMINAL BLOCK NO.
- ⊞ = NOTICE TERMINAL STRIP CONNECTION
- = OPTIONAL WIRING
- = FIELD WIRING
- * = OPTIONAL COMPONENTS
- *** = TEMP. AND HUMIDITY SENSOR CONNECTION TABLE
- = USE ON 50 LB. HUMIDIFIER ONLY.
- ⚠ = TB MAY BE OMITTED WHEN DISCONNECT SWITCH IS USED

© Copyright 2017 Dana Airc. Inc.

dataaire
230 W. BLVDENBORO AVE., DENVER, CO. 80285

DWG TITLE:
LARGE CEILING SYSTEM WITH OUTDOOR CONDENSING UNIT - AO MINI-dap4 PANEL

JOB NO.: DALS906XY
PROJECT NO.: DALS906XY
CHECKED BY: F. BETTAN
EFFECTIVITY DATE: 07-12-2018

DESIGN BY: M. COCHRAN
REVISION: D

DIAGRAM NO.: DAL-S-906 XY