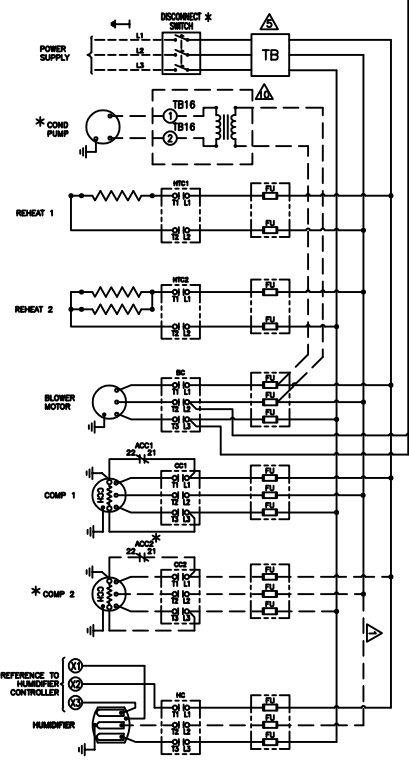


**HIGH VOLTAGE WIRING**



**TEMP. AND HUMIDITY SENSOR CONNECTION**

	A	B	C	D	E
ACI UNIT MOUNT	ORG	GRY	COM	Vh	4-20 mA
REMOTE MOUNT	+	-	COM	Vh	4-20 mA
CAREL UNIT AND REMOTE MOUNT	NTC	NTC	M	G+	OUTH

- PANEL LEGEND**
- ACI AVERAGE COMPRESSOR CONTACT
  - ACV AIR FLOW CONTACT
  - AS AIR SWITCH
  - CCU COMPRESSOR CONTACTOR
  - CCV COMPRESSOR CONTACTOR
  - DATA DATA ALARM PROCESSOR 4
  - daap4 MINI daap4
  - F1 FLOOR SWITCH
  - F2 FLOOR SWITCH
  - HCS HAMPER CONTACTOR
  - HP HAMPER CONTACTOR
  - HTC HIGH TEMPERATURE CONTACTOR
  - HPC HIGH PRESSURE CONTACTOR
  - HPCW HIGH PRESSURE CONTACTOR W/PS
  - LEAD LEAD LINE STANDARD
  - LOU LOU MOTOR OPERATOR
  - MOL MANUAL SHUTOFF VALVE
  - PS POWER SUPPLY
  - SS SILENCE SUPPRESSOR
  - THC TEMPERATURE CONTACTOR
  - TU TEMPERATURE UNIT
  - TR THERMOSTAT
  - TM THERMOSTAT
  - VB VALVE
  - VH VOLTAGE

- ① TERMINAL BLOCK NO.
- FIELD WIRING
- - - - - OPTIONAL WIRING
- ⚠ TEMP. AND HUMIDITY SENSOR CONNECTION
- ⚠ TEMP. AND HUMIDITY SENSOR CONNECTION
- ⚠ FIELD
- ⚠ FIELD
- ⚠ TB MAY BE OMITTED WHEN DISCONNECT SWITCH IS USED
- ⚠ THE STANDBY FLAME SWITCH IN THE DATA ALARM PROCESSOR IS NOT USED. THE STANDBY FLAME SWITCH IS NOT USED.
- ⚠ M.O.L. MUST BE WIRING ON THREE PHASE.
- ⚠ POWER ON 480V 50/60HZ 3PHASE WIRING. FIELD WIRING MUST BE WIRING ON THREE PHASE WITH BLOCKED PUMP.

ONE TITLE: **LCS SERIES AIR AND WATER COOLED PACKAGE with Mini daap4**

JOB NO. **DRANN ST. COLUMBIAN**

CREATION DATE **03-30-2017** CHECKED BY **J. BELTRAY**

REVISION DATE **05-28-2020** REVISION **#1**

DIVERSAL NO. **DAL-S-908 XY**



© Copyright 2017 Data Aire, Inc.

DATE: 05/27/2020 09:27AM

FILE: DAL-S-908 XY.DWG