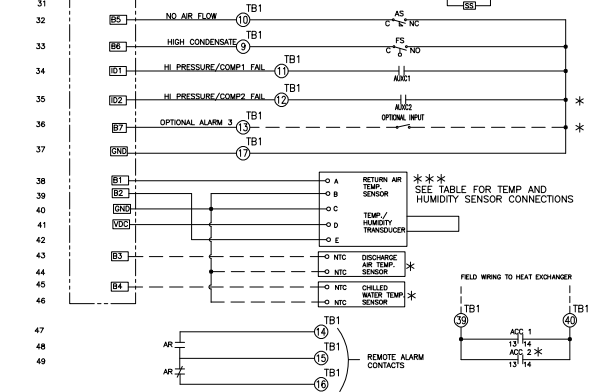
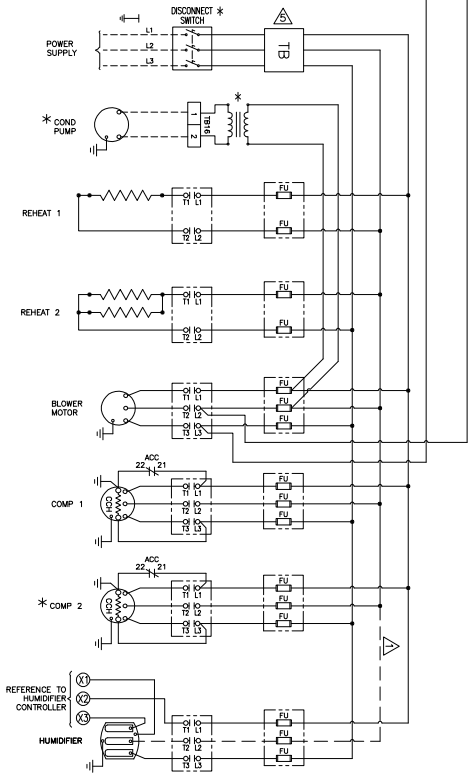


HIGH VOLTAGE WIRING



*** TEMP. AND HUMIDITY SENSOR CONNECTION ***

ACI	UNIT MOUNT	ORG	GRY	COM	Vin	4-20 mA
	REMOTE MOUNT	+	-	COM	Vin	4-20 mA
CAREL	UNIT AND REMOTE MOUNT	NTC	NTC	N	G+	OUTH

JOB NO. _____
 PROJECT NO. **DALS988XY**
 DRAWN BY: **M. COCHRAN**
 CHECKED BY: **F. BELTRAN**
 EFFECTIVE DATE: **05-11-2019**
 OPTION: _____
 REVISION: **2**
 DWG TITLE: **LCS SERIES AIR AND WATER COOLED PACKAGE with Mini dap4**

230 W. BLUENOR AVE. ORANGE, CA 92665
dataaire
 © Copyright 2017 Data Aire, Inc.

- PANEL LEGEND**
- ACI = AIRWAY COMPRESSOR CONTACT
 - AR = ALARM RELAY
 - ASAC = AIR FLOW SWITCH ON COMPRESSOR
 - BC = BLOWER CONTACTOR
 - BR = BLOWER FUSE
 - CC = COMPRESSOR CONTACTOR
 - CC1 = COMPRESSOR CONTACTOR 1
 - CC2 = COMPRESSOR CONTACTOR 2
 - CC3 = COMPRESSOR CONTACTOR 3
 - CC4 = COMPRESSOR CONTACTOR 4
 - CC5 = COMPRESSOR CONTACTOR 5
 - CC6 = COMPRESSOR CONTACTOR 6
 - CC7 = COMPRESSOR CONTACTOR 7
 - CC8 = COMPRESSOR CONTACTOR 8
 - CC9 = COMPRESSOR CONTACTOR 9
 - CC10 = COMPRESSOR CONTACTOR 10
 - CC11 = COMPRESSOR CONTACTOR 11
 - CC12 = COMPRESSOR CONTACTOR 12
 - CC13 = COMPRESSOR CONTACTOR 13
 - CC14 = COMPRESSOR CONTACTOR 14
 - CC15 = COMPRESSOR CONTACTOR 15
 - CC16 = COMPRESSOR CONTACTOR 16
 - CC17 = COMPRESSOR CONTACTOR 17
 - CC18 = COMPRESSOR CONTACTOR 18
 - CC19 = COMPRESSOR CONTACTOR 19
 - CC20 = COMPRESSOR CONTACTOR 20
 - CC21 = COMPRESSOR CONTACTOR 21
 - CC22 = COMPRESSOR CONTACTOR 22
 - CC23 = COMPRESSOR CONTACTOR 23
 - CC24 = COMPRESSOR CONTACTOR 24
 - CC25 = COMPRESSOR CONTACTOR 25
 - CC26 = COMPRESSOR CONTACTOR 26
 - CC27 = COMPRESSOR CONTACTOR 27
 - CC28 = COMPRESSOR CONTACTOR 28
 - CC29 = COMPRESSOR CONTACTOR 29
 - CC30 = COMPRESSOR CONTACTOR 30
 - CC31 = COMPRESSOR CONTACTOR 31
 - CC32 = COMPRESSOR CONTACTOR 32
 - CC33 = COMPRESSOR CONTACTOR 33
 - CC34 = COMPRESSOR CONTACTOR 34
 - CC35 = COMPRESSOR CONTACTOR 35
 - CC36 = COMPRESSOR CONTACTOR 36
 - CC37 = COMPRESSOR CONTACTOR 37
 - CC38 = COMPRESSOR CONTACTOR 38
 - CC39 = COMPRESSOR CONTACTOR 39
 - CC40 = COMPRESSOR CONTACTOR 40
 - CC41 = COMPRESSOR CONTACTOR 41
 - CC42 = COMPRESSOR CONTACTOR 42
 - CC43 = COMPRESSOR CONTACTOR 43
 - CC44 = COMPRESSOR CONTACTOR 44
 - CC45 = COMPRESSOR CONTACTOR 45
 - CC46 = COMPRESSOR CONTACTOR 46
 - CC47 = COMPRESSOR CONTACTOR 47
 - CC48 = COMPRESSOR CONTACTOR 48
 - CC49 = COMPRESSOR CONTACTOR 49
 - CC50 = COMPRESSOR CONTACTOR 50
 - CC51 = COMPRESSOR CONTACTOR 51
 - CC52 = COMPRESSOR CONTACTOR 52
 - CC53 = COMPRESSOR CONTACTOR 53
 - CC54 = COMPRESSOR CONTACTOR 54
 - CC55 = COMPRESSOR CONTACTOR 55
 - CC56 = COMPRESSOR CONTACTOR 56
 - CC57 = COMPRESSOR CONTACTOR 57
 - CC58 = COMPRESSOR CONTACTOR 58
 - CC59 = COMPRESSOR CONTACTOR 59
 - CC60 = COMPRESSOR CONTACTOR 60
 - CC61 = COMPRESSOR CONTACTOR 61
 - CC62 = COMPRESSOR CONTACTOR 62
 - CC63 = COMPRESSOR CONTACTOR 63
 - CC64 = COMPRESSOR CONTACTOR 64
 - CC65 = COMPRESSOR CONTACTOR 65
 - CC66 = COMPRESSOR CONTACTOR 66
 - CC67 = COMPRESSOR CONTACTOR 67
 - CC68 = COMPRESSOR CONTACTOR 68
 - CC69 = COMPRESSOR CONTACTOR 69
 - CC70 = COMPRESSOR CONTACTOR 70
 - CC71 = COMPRESSOR CONTACTOR 71
 - CC72 = COMPRESSOR CONTACTOR 72
 - CC73 = COMPRESSOR CONTACTOR 73
 - CC74 = COMPRESSOR CONTACTOR 74
 - CC75 = COMPRESSOR CONTACTOR 75
 - CC76 = COMPRESSOR CONTACTOR 76
 - CC77 = COMPRESSOR CONTACTOR 77
 - CC78 = COMPRESSOR CONTACTOR 78
 - CC79 = COMPRESSOR CONTACTOR 79
 - CC80 = COMPRESSOR CONTACTOR 80
 - CC81 = COMPRESSOR CONTACTOR 81
 - CC82 = COMPRESSOR CONTACTOR 82
 - CC83 = COMPRESSOR CONTACTOR 83
 - CC84 = COMPRESSOR CONTACTOR 84
 - CC85 = COMPRESSOR CONTACTOR 85
 - CC86 = COMPRESSOR CONTACTOR 86
 - CC87 = COMPRESSOR CONTACTOR 87
 - CC88 = COMPRESSOR CONTACTOR 88
 - CC89 = COMPRESSOR CONTACTOR 89
 - CC90 = COMPRESSOR CONTACTOR 90
 - CC91 = COMPRESSOR CONTACTOR 91
 - CC92 = COMPRESSOR CONTACTOR 92
 - CC93 = COMPRESSOR CONTACTOR 93
 - CC94 = COMPRESSOR CONTACTOR 94
 - CC95 = COMPRESSOR CONTACTOR 95
 - CC96 = COMPRESSOR CONTACTOR 96
 - CC97 = COMPRESSOR CONTACTOR 97
 - CC98 = COMPRESSOR CONTACTOR 98
 - CC99 = COMPRESSOR CONTACTOR 99
 - CC100 = COMPRESSOR CONTACTOR 100

DAL-S-908 XY