

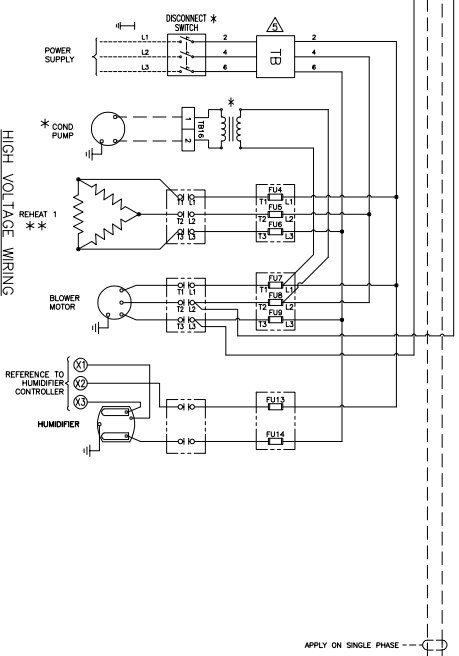
*** SEE TABLE FOR TEMP AND HUMIDITY SENSOR CONNECTIONS ***

- AC1 - RETURN AIR TEMP. SENSOR
- AC2 - ROOM TEMP. SENSOR
- AC3 - TEMP. HUMIDITY TRANSDUCER
- AC4 - NTC DISCHARGE TEMP. SENSOR
- AC5 - NTC

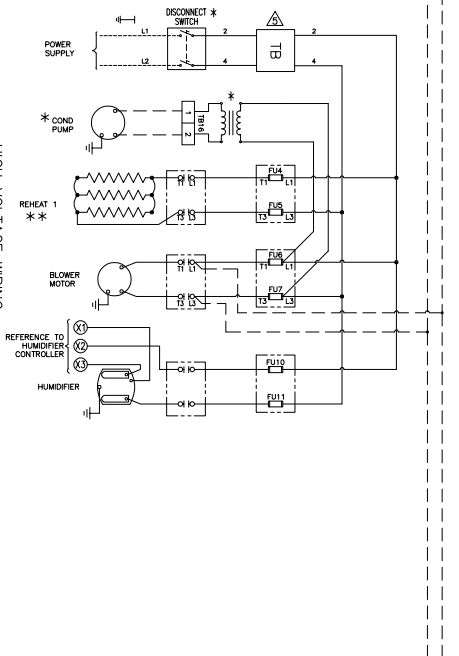
*** TEMP. AND HUMIDITY SENSOR CONNECTION ***

	A	B	C	D	E
AC1	ORG	GRY	COM	Vin	4-20 mA
UNIT MOUNT	+	-	COM	Vin	4-20 mA
REMOTE MOUNT	NTC	NTC	M	G+	OUTH

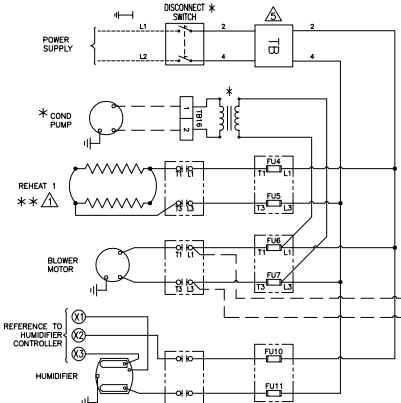
HIGH VOLTAGE WIRING
THREE PHASE WIRING
FOR MINI-PLUS



HIGH VOLTAGE WIRING
SINGLE PHASE WIRING
FOR MINI-PLUS



HIGH VOLTAGE WIRING
SINGLE PHASE FOR
MINI CEILING UNITS



PANEL LEGEND

- AC1 - AUXILIARY COMPRESSOR CONTACT
- AC2 - AIR FLOW SWITCH
- AC3 - AUXILIARY CONTACT ON COMPRESSOR
- AC4 - AIR FLOW CONTACT
- AC5 - BLOWER FUSE
- AC6 - CIRCUIT BREAKER
- AC7 - CONDENSER HEATER
- AC8 - CONDENSER MOTOR CONTACTOR
- AC9 - CONDENSER MOTOR RECEPTACLE
- AC10 - COMPRESSOR MOTOR CONTACTOR
- AC11 - DATA ALARM PROCESSOR SWITCH
- AC12 - DIFFERENTIAL PRESSURE SWITCH
- AC13 - ENERGY SAVER RELAY
- AC14 - FAN SPEED CONTROL
- AC15 - FUSE
- AC16 - FLOAT SWITCH
- AC17 - HUMIDIFIER FUSE
- AC18 - HOT GAS SENSING
- AC19 - REHEAT CONTACTOR
- AC20 - REHEAT FUSE
- AC21 - REHEAT NOSE
- AC22 - HUMIDIFIER NOSE
- AC23 - 24V TO 24V ISOLATION TRANSFORMER
- AC24 - LOW PRESSURE CUTOFF
- AC25 - MANUAL OVERRIDE SWITCH
- AC26 - MANUAL OVERRIDE SWITCH
- AC27 - COMPRESSOR OVERLOAD RELAY
- AC28 - STURM AND PRESSURE
- AC29 - THERMAL CUTOFF
- AC30 - TRANSFORMER
- AC31 - WATER SENSING CHANGEOVER THERMOSTAT
- AC32 - TERMINAL BLOCK NO.
- AC33 - NORTIC TERMINAL STRIP CONNECTION
- AC34 - FIELD WIRING (18 AMP OR BETTER)
- AC35 - OPTIONAL WIRING
- AC36 - OPTIONAL COMPONENTS
- AC37 - 2 REPEAT ELEMENTS FOR MINI-SERIES
- AC38 - 1 REPEAT ELEMENTS FOR MINI-PLUS
- AC39 - TEMP. AND HUMIDITY SENSOR CONNECTION TABLE
- AC40 - REHEAT IS OPTIONAL ON MINI MODEL.
- AC41 - TB MAY BE OMITTED WHEN DISCONNECT SWITCH IS USED.

DWG TITLE:
**MINI & MINI-PLUS
WITH OUTDOOR
CONDENSING UNIT - AO
WITH MINI dap⁴ PANEL.**

DWG NO.:
230 W. BLENHARD AVE. DANFORTH, ON. 92865

DATE: 05-29-2018

PROJECT NO.: DAMS906XY

CHECKED BY: F. BRITZMAN

DRAWN BY: M. COCHRAN

DESIGNED BY: M. COCHRAN

DATE: 05-29-2018

REVISION: 2

DWG NO.: DAM-S-906 XY

Copyright 2017 Data Aire, Inc.