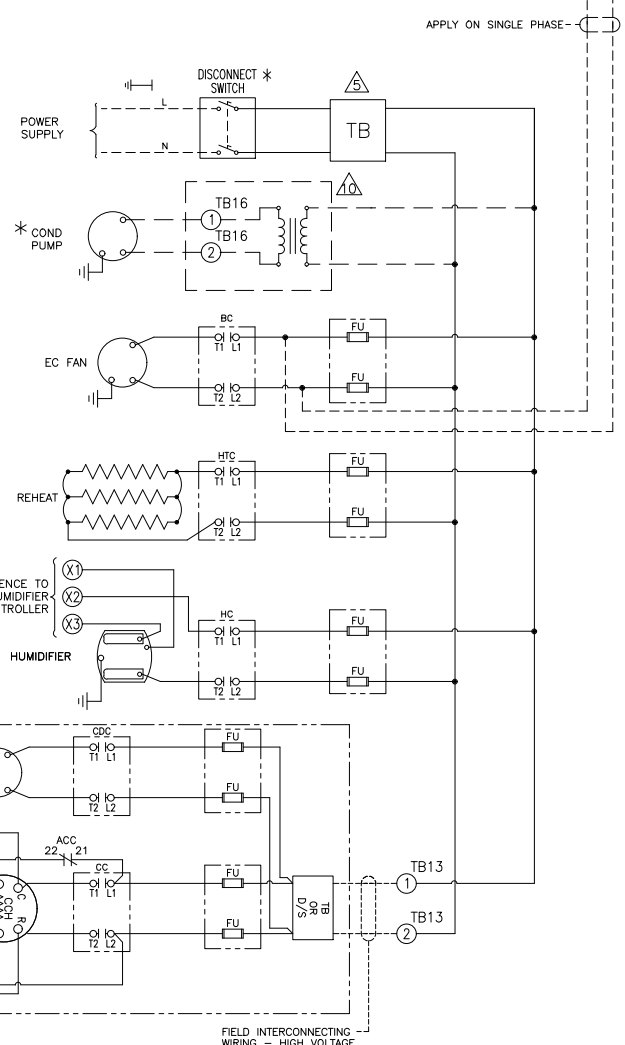


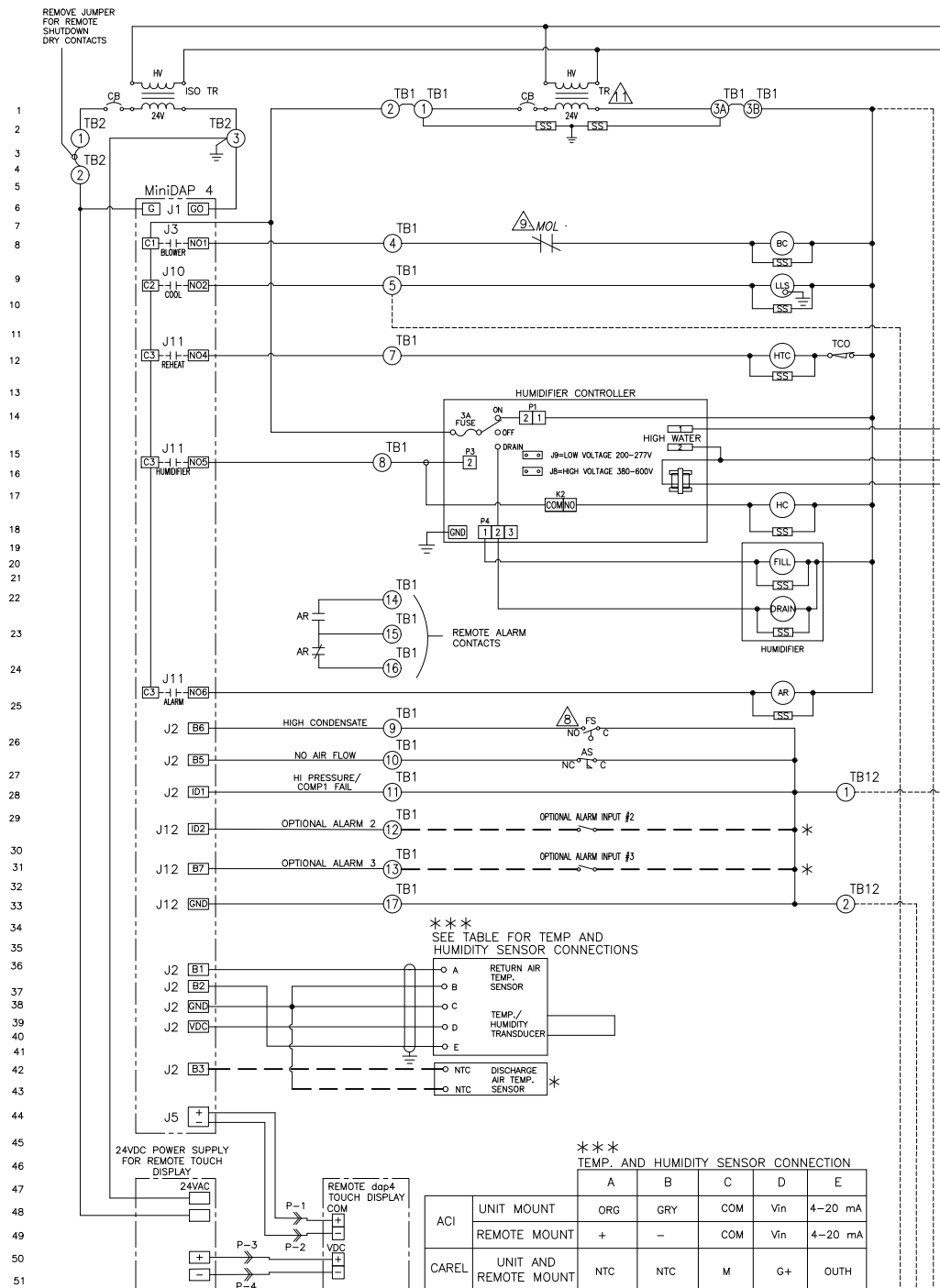
HIGH VOLTAGE WIRING  
THREE PHASE WIRING  
FOR MINI-PLUS



HIGH VOLTAGE WIRING  
SINGLE PHASE WIRING  
FOR MINI-PLUS

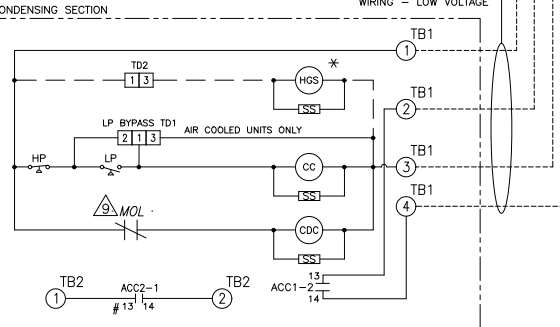
REFERENCE TO HUMIDIFIER CONTACT AND ELECTRODE CYLINDER

APPLY ON SINGLE PHASE -



\*\*\* SEE TABLE FOR TEMP AND HUMIDITY SENSOR CONNECTIONS \*\*\*

		A	B	C	D	E
ACI	UNIT MOUNT	ORG	GRY	COM	Vin	4-20 mA
	REMOTE MOUNT	+	-	COM	Vin	4-20 mA
CAREL	UNIT AND REMOTE MOUNT	NTC	NTC	M	G+	OUTH



1  
2  
3  
4  
5  
6  
7  
8  
9  
10  
11  
12  
13  
14  
15  
16  
17  
18  
19  
20  
21  
22  
23  
24  
25  
26  
27  
28  
29  
30  
31  
32  
33  
34  
35  
36  
37  
38  
39  
40  
41  
42  
43  
44  
45  
46  
47  
48  
49  
50  
51  
52  
53  
54  
55  
56  
57  
58  
59  
60  
61  
62  
63  
64  
65

PANEL LEGEND

- ACC = AUXILIARY COMPRESSOR CONTACT
- AR = ALARM RELAY
- AS = AIR FLOW SWITCH
- BC = BLOWER CONTACTOR
- CB = CIRCUIT BREAKER
- CH = COMPRESSOR HEAD CONTACTOR
- CC = CONDENSER MOTOR CONTACTOR
- CDC = CONDENSER MOTOR CONTACTOR 4
- ddd4 = DATA ALARM PROCESSOR 4
- DP = DIFFERENTIAL PRESSURE SWITCH
- FU = FUSE
- FS = FLOAT SWITCH
- HV = HIGH VOLTAGE/24VAC TRANSFORMER W/CB
- HS = HEATER CONTACTOR
- HP = HOT GAS SOLENOID
- HTC = HIGH PRESSURE CUTOUT
- HGS = HEATER CONTACTOR
- ISO TR = HIGH VOLTAGE/24VAC TRANSFORMER W/CB
- LS = LIQUID LEVEL SENSING
- LVS = LIQUID VAPOR SENSING
- SS = SURGE SUPPRESSOR
- TB = TERMINAL BLOCK
- TD = TERMINAL CUTOUT
- TR = TIME DELAY TRANSFORMER

- (N) = TERMINAL BLOCK NO.
- = FIELD WIRING
- - - = OPTIONAL WIRING
- # = WATER COOLED ONLY
- \* = OPTIONAL COMPONENTS
- \*\*\* = TEMP. AND HUMIDITY SENSOR CONNECTION TABLE
- Δ = TB MAY BE OMITTED WHEN DISCONNECT SWITCH IS USED
- Δ = FOR CT THREE (3) IS THE MINIMUM NUMBER OF LOOPS; AN ADDITIONAL 4TH LOOP IS NOT ACCEPTABLE
- Δ = THE STANDARD FLOAT SWITCH IN THE DRAIN PAN THAT COMES WITH CEILING UNITS WILL NEED TO BE REMOVED WHEN THE BLUE DIAMOND PUMP OPTION IS SELECTED
- Δ = MOL MUST BE WIRED ON THREE PHASE MOTORS ONLY
- Δ = APPLY ON 277, 460 OR 575V UNITS WITH BLUE DIAMOND PUMP AND ON 277V UNITS WITH BECKETT PUMP
- Δ = MORE THAN ONE TRANSFORMER MAY BE USED

NOTE: TB1 & TB2 HAVE JUMPED PINS THAT ARE COMMON TO ALL UNITS. CERTAIN COMMON POTENTIAL WIRES MUST BE CONNECTED ON ANY OF THESE PINS.

© Copyright 2017 Data Aire, Inc.

dataaire  
230 W. BLUERIDGE AVE. ORANGE, CA. 92665

DWG TITLE:  
MINI & MINI-PLUS  
AI-INDOOR SPLIT  
CONDENSING UNIT  
WITH MINI dap4 PANEL

JOB NO:	DRAWN BY:	M. COCHRAN
CREATION DATE: 04-28-2017	CHECKED BY:	R. BELTRAN
OPTION:	REVISION DATE:	09-17-2021
	REVISION:	F

DIAGRAM NO.:  
DAM-S-907 XY