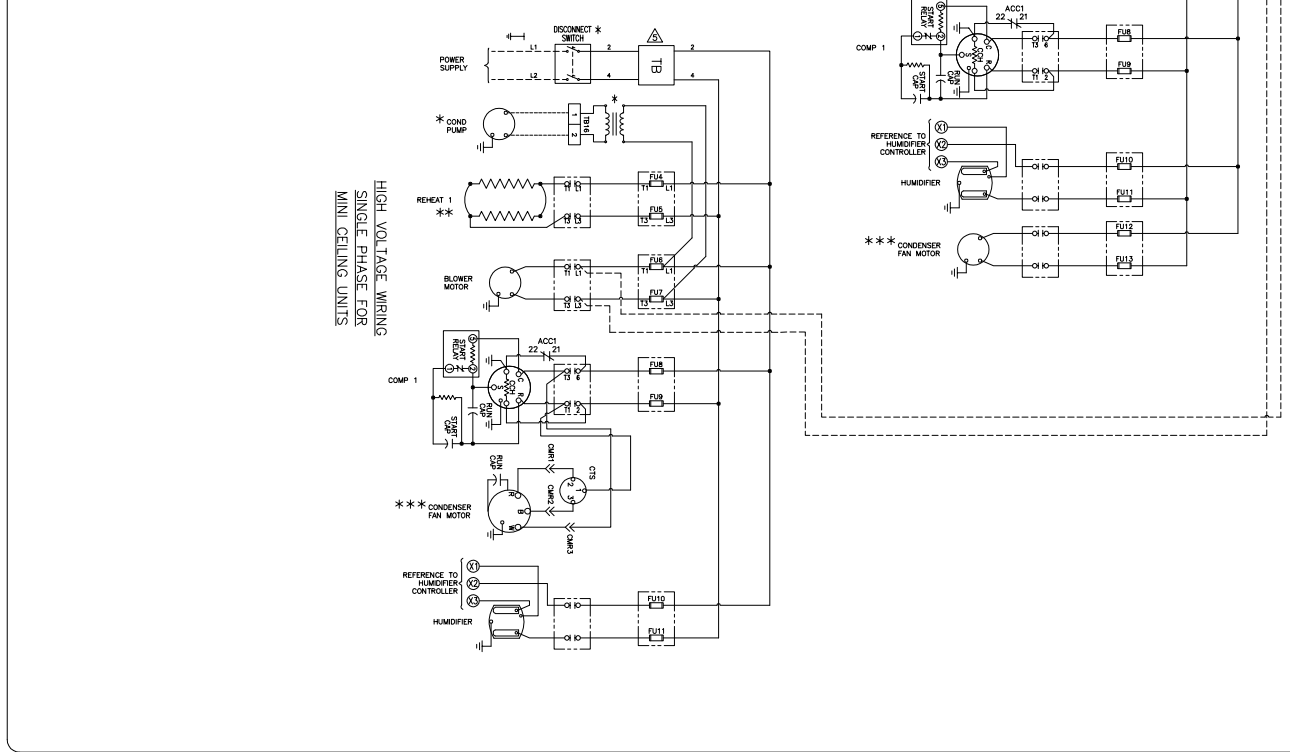


		TEMP. AND HUMIDITY SENSOR CONNECTION				
		A	B	C	D	E
ACI	UNIT MOUNT	ORG	GRY	COM	Vin	4-20 mA
	REMOTE MOUNT	+	-	COM	Vin	4-20 mA
	UNIT AND REMOTE MOUNT	NTC	NTC	M	G+	OUTH

**HIGH VOLTAGE WIRING
THREE PHASE WIRING
FOR MINI-PLUS**

**HIGH VOLTAGE WIRING
SINGLE PHASE WIRING
FOR MINI-PLUS**



dataaire
230 W. BLUEBERRY AVE. ORANGE, CA 92665
© Copyright 2018 Data Aire, Inc.

**MINI & MINI-PLUS
PACKAGE & CO
WITH MINI dap1 PANEL**

JOB NO. _____ DRAWN BY: **J. COCHRAN**
PROJECT NO. **DANS98XY** CHECKED BY: **BSZ/RLN**
EFFECTIVE DATE: **02-21-2018**
OPTION: _____ REVISION: **D**

DAM-S-908 XY

PANEL LEGEND

- ACC = AUXILIARY COMPRESSOR CONTACT
- ALR = ALARM RELAY
- ALWC = AUXILIARY CONTACT ON COMPRESSOR
- BR = BLOWER CONTACTOR
- BRB = BLOWER BREAKER
- CB = CONDENSATE HEATER
- COH = CONDENSATE HEATER CONTACTOR
- CDC = CONDENSER MOTOR CONTACTOR
- CMR = CONDENSER MOTOR RECEPTACLE
- CTS = CONDENSER THERMISTAT SWITCH
- DFP = DIFFERENTIAL PRESSURE SWITCH
- EIP = ENERGY SAVER RELAY
- EXP = EXPANSION MODULE
- FS = FLOAT SWITCH
- HCF = HUMIDIFIER CONTACTOR
- HCS = HOT GAS SOLENOID
- HHC = HIGH PRESSURE CONTACTOR
- HTM = REHEAT FUSE
- HRM = REHEAT FUSE
- ILS = LIQUID LINE SOLENOID
- LMS = LIQUID MOTOR STARTER
- MOS = MANUAL OVERRIDE SWITCH
- MOL = MOTOR LOCK
- SS = SURE SUPPRESSOR RELAY
- TD = THERMAL OUTPUT
- TDL = TIME DELAY
- WTS = WATER SENSING CHAMBER/TEMPEROSTAT

--- TERMINAL BLOCK NO. ---
--- NORTH TERMINAL STRIP CONNECTION ---
--- FIELD WIRING (18AWG OR BETTER) ---
--- OPTIONAL COMPONENTS ---
* = 2 REHEAT ELEMENTS ON MINI-SERIES
* = MINI-PLUS ARE COOLED PACKAGE ONLY
* = TEMP. AND HUMIDITY SENSOR CONNECTION
* = TB MAY BE OMITTED WHEN DISCONNECT SWITCH IS USED