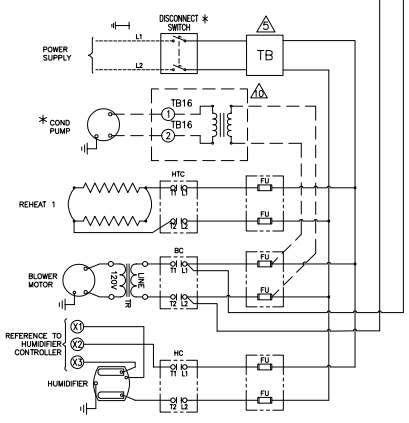


**HIGH VOLTAGE WIRING
SINGLE PHASE FOR
MINI CEILING UNITS**



TEMP. AND HUMIDITY SENSOR CONNECTION

	A	B	C	D	E
ACI UNIT MOUNT	ORG	GRY	COM	Vin	4-20 mA
REMOTE MOUNT	+	-	COM	Vin	4-20 mA
CAREL UNIT AND REMOTE MOUNT	NTC	NTC	M	G+	OUTH

PANEL LEGEND

- AR ALARM RELAY
- AS/C AIR FLOW SWITCH ON COMPRESSOR
- BC/BLO BLOWER CONTACTOR
- CC/CO COMPRESSOR CONTACTOR
- DP/DIF DIFFERENTIAL PRESSURE
- FS/FST FLOAT SWITCH
- HC/HUM HUMIDIFIER CONTACTOR
- HSS/HOT HOT GAS SENSING
- ISO TR REHEATER CONTACTOR
- HTC/HIGH HIGH VOLTAGE TRANSFORMER W/OB
- LP/LP LOW PRESSURE CUTOUT
- TR/TB TERMINAL BLOCK
- TR/TB TRANSFORMER
- ⊖ TERMINAL BLOCK NO.
- - - OPTIONAL WIRING
- * OPTIONAL COMPONENTS
- *** TABLE
- ⚠ TB MAY BE OMITTED WHEN DISCONNECT SWITCH IS USED
- ⚠ THE CONDENSER FAN SWITCH IN THE DRAIN PAN THAT COMES WITH CEILING UNITS WILL NEED TO BE REMOVED WHEN THIS WIRING FORM OPTION IS SELECTED
- ⚠ APPLY ON 277, 460 OR 575V UNITS WITH BLUE DRAIN PUMP AND ON 277V UNITS WITH BECKER FAN

DCX-S-906 XY

dataaire
230 W. BLUERIDGE AVE. ORANGE, CA 92665

© Copyright 2017 Data Aire, Inc.

DCX-S-906 XY