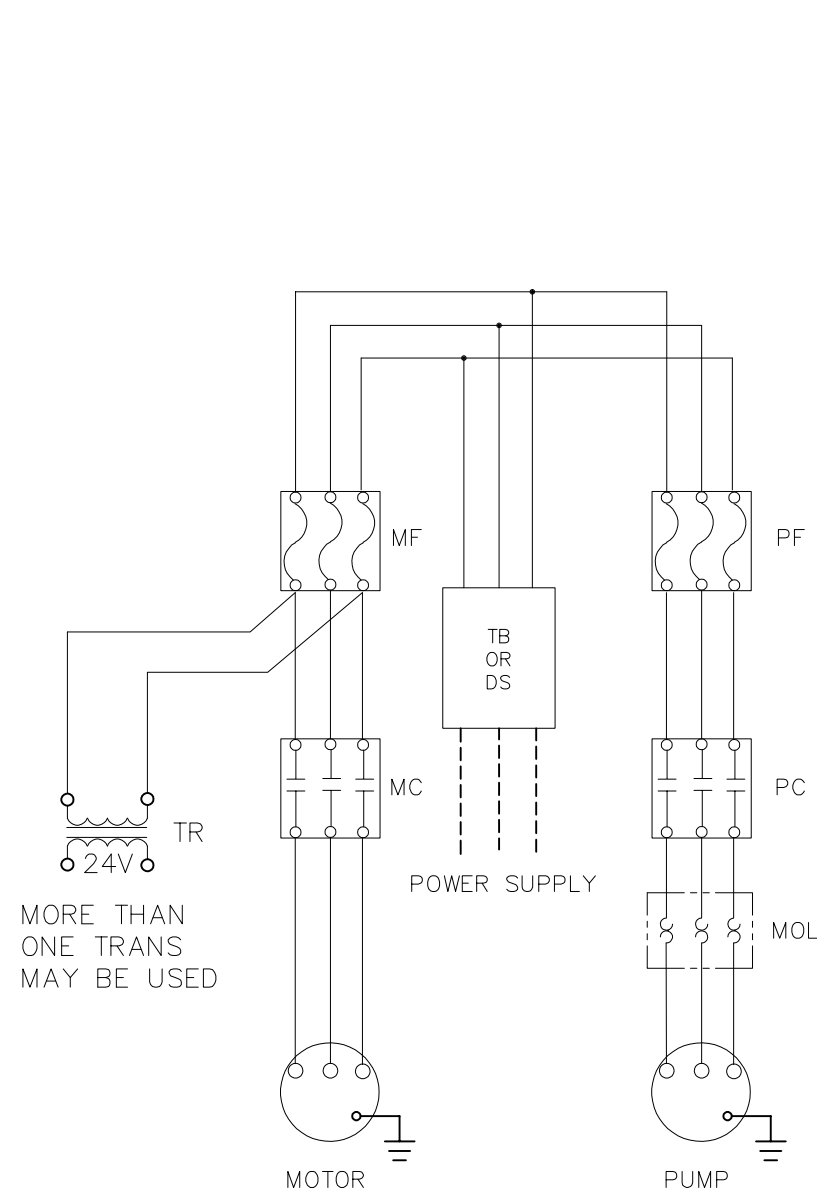
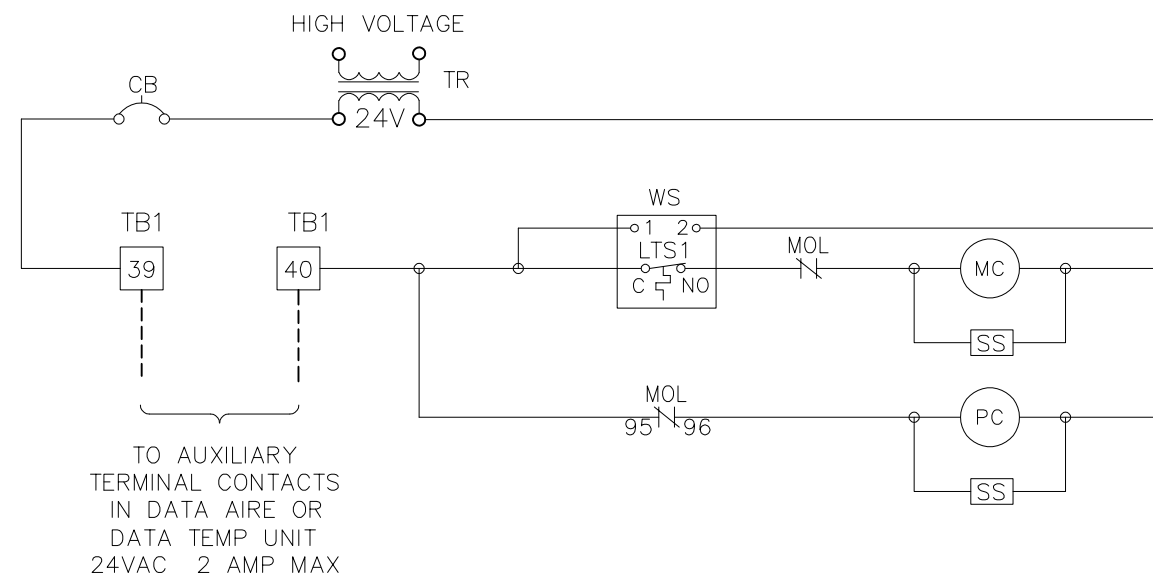


LEGEND

- CB = CIRCUIT BREAKER
- DS = DISCONNECT SWITCH
- MC = MOTOR CONTACTOR
- MF = MOTOR FUSE
- MOL = MOTOR OVERLOAD
- PC = PUMP CONTACTOR
- PF = PUMP FUSE
- SS = SURGE SUPPRESSOR
- TB = TERMINAL BLOCK
- TR = TRANSFORMER
- WS = WATER SENSING THERMOSTAT
- = FIELD WIRING



HIGH VOLTAGE WIRING



NOTES:

1. ELECTRICAL INSTALLATION MUST COMPLY WITH ALL APPLICABLE CODES.
2. MOTOR QUANTITY MAY VARY.
3. USE COPPER CONDUCTORS.

PIGGY BACK
FLUID COOLER
(THREE PHASE)



DRAWN BY : ARAMOS	SCALE : 0
CHECKED BY : F.BELTRAN	DAFC LAD FCS001PB
DATE : 01-27-2017	SHT. 1 OF 1

DFC-S-001 PB
DRAWING NO.