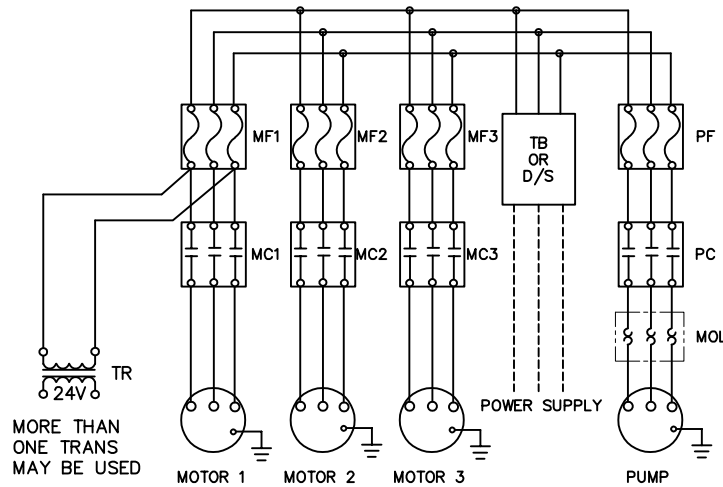


- LEGEND
- CB = CIRCUIT BREAKER
 - DS = DISCONNECT SWITCH
 - MC = MOTOR CONTACTOR
 - MF = MOTOR FUSE
 - MOL = MOTOR OVERLOAD
 - PC = PUMP CONTACTOR
 - PF = PUMP FUSE
 - SS = SURGE SUPPRESSOR
 - TB = TERMINAL BLOCK
 - TR = TRANSFORMER
 - WS = WATER SENSING THERMOSTAT
 - = FIELD WIRING



HIGH VOLTAGE WIRING

- NOTES:
1. ELECTRICAL INSTALLATION MUST COMPLY WITH ALL APPLICABLE CODES.
 2. MOTOR QUANTITY MAY VARY.
 3. USE COPPER CONDUCTORS.

PIGGY BACK
FLUID COOLER
(THREE PHASE)

dataaire

DRAWN BY : ARAMOS	SCALE : 0
CHECKED BY : F.BELTRAN	DAFC LAD FCS001PB-3
DATE : 01-27-2017	SHT. 1 OF 1
MATERIAL:	

DFC-S-001 PB-3
PART NO.