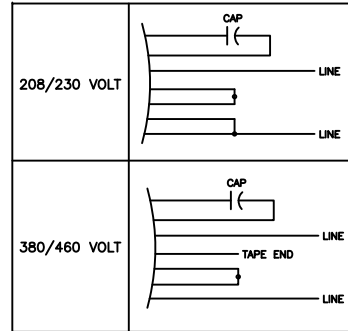


NOTES:

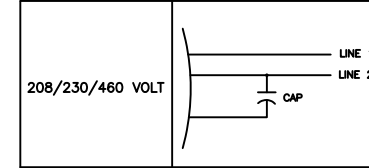
1. ELECTRICAL INSTALLATION MUST COMPLY WITH ALL APPLICABLE CODES.
2. MOTOR QUANTITY MAY VARY.
3. ALL FAN MOTORS 3/4 HP AND LESS WILL BE SINGLE PHASE.
4. USE COPPER CONDUCTORS.

TYPICAL WIRING DIAGRAM FOR REMOTE FLUID COOLERS USED WITH DATA AIRE COMPUTER UNITS.

FASCO MOTOR WIRE CONNECTIONS



MARATHON LOW DECIBEL MOTOR WIRE CONNECTIONS



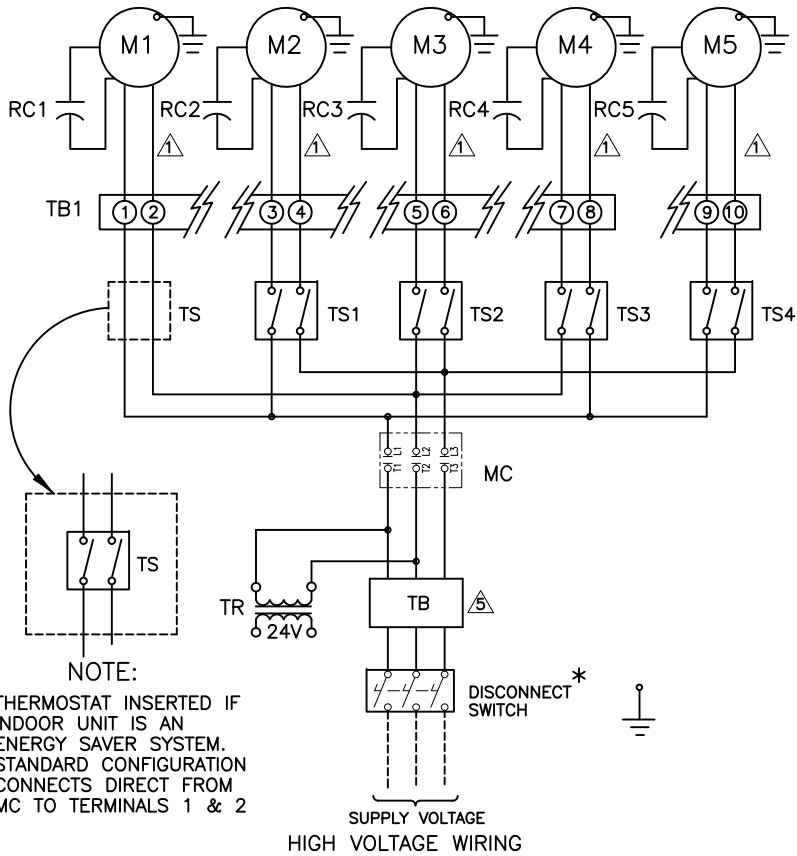
PANEL LEGEND

- CB = CIRCUIT BREAKER
- M = MOTOR
- MC = MOTOR CONTACTOR
- MOL = MOTOR OVERLOAD
- P = PUMP
- PC = PUMP CONTACTOR
- RC = RUN CAPACITOR
- SS = SURGE SUPPRESSOR
- TB = TERMINAL BLOCK
- TR = TRANSFORMER
- TS = THERMOSTAT

* = OPTIONAL COMPONENT

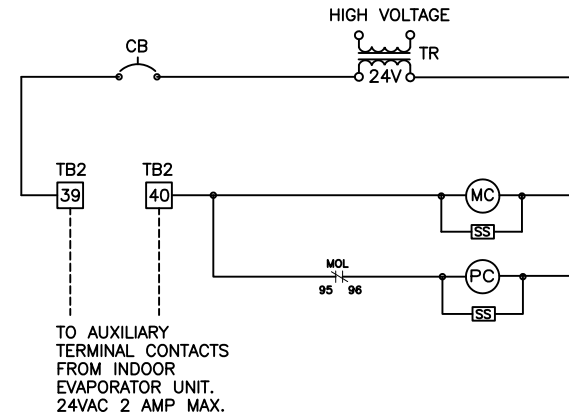
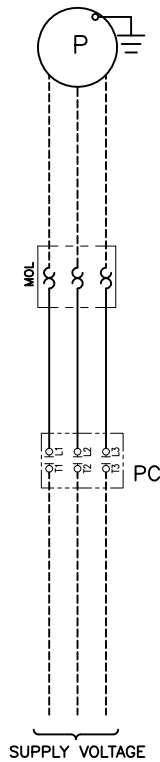
----- FIELD WIRING

TB MAY BE OMITTED WHEN DISCONNECT SWITCH IS USED



NOTE:
THERMOSTAT INSERTED IF INDOOR UNIT IS AN ENERGY SAVER SYSTEM. STANDARD CONFIGURATION CONNECTS DIRECT FROM MC TO TERMINALS 1 & 2

SUPPLY VOLTAGE
HIGH VOLTAGE WIRING



© Copyright 2018 Data Aire, Inc.



DWG TITLE:
**FLUID COOLER
REMOTE**

JOB NO:	DRAWN BY: M. COCHRAN
PROJECT NO: DPCS001	CHECKED BY: F. BELTRAN
	EFFECTIVITY DATE: 06-14-2019
OPTION:	REVISION: F

DIAGRAM NO:
DFC-S-001