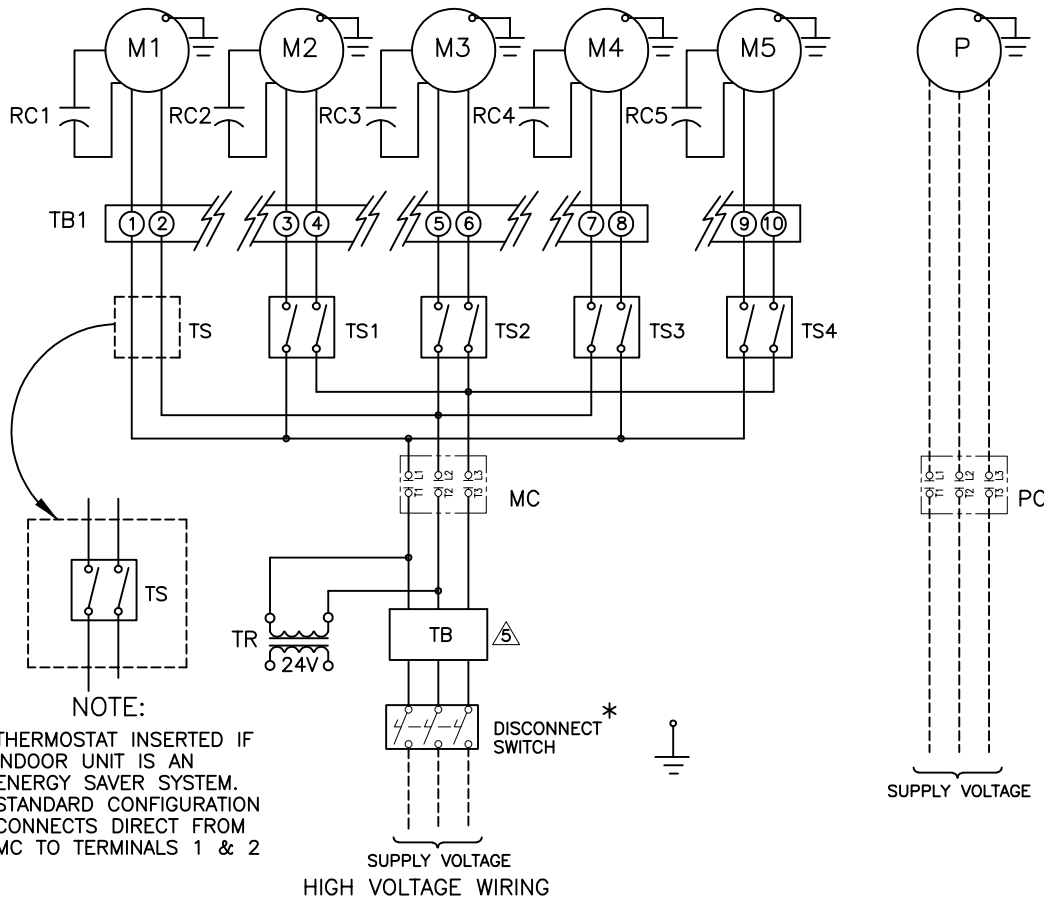


NOTES:

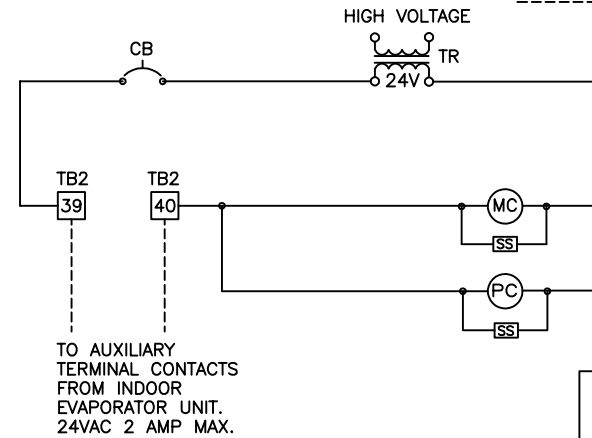
1. ELECTRICAL INSTALLATION MUST COMPLY WITH ALL APPLICABLE CODES.
2. MOTOR QUANTITY MAY VARY.
3. ALL FAN MOTORS 3/4 HP AND LESS WITH BE SINGLE PHASE.
4. USE COPPER CONDUCTORS.
- ⚠ TB MAY BE OMITTED WHEN DISCONNECT SWITCH IS USED



NOTE:
THERMOSTAT INSERTED IF INDOOR UNIT IS AN ENERGY SAVER SYSTEM. STANDARD CONFIGURATION CONNECTS DIRECT FROM MC TO TERMINALS 1 & 2

LEGEND

- CB = CIRCUIT BREAKER
- M = MOTOR
- MC = MOTOR CONTACTOR
- P = PUMP
- PC = PUMP CONTACTOR
- RC = RUN CAPACITOR
- SS = SURGE SUPPRESSOR
- TB = TERMINAL BLOCK
- TR = TRANSFORMER
- TS = THERMOSTAT
- = FIELD WIRING
- * = OPTIONAL COMPONENT



TYPICAL WIRING DIAGRAM FOR REMOTE FLUID COOLERS USED WITH DATA AIR COMPUTER UNITS.

REMOTE FLUID COOLER

dataaire

DRAWN BY : M. COCHRAN		SCALE : 0	
CHECKED BY : F. BELTRAN		DRC LAD	DFCS001
DATE : 08-23-2018		REV.	E

DFC-S-001
DRAWING NO.