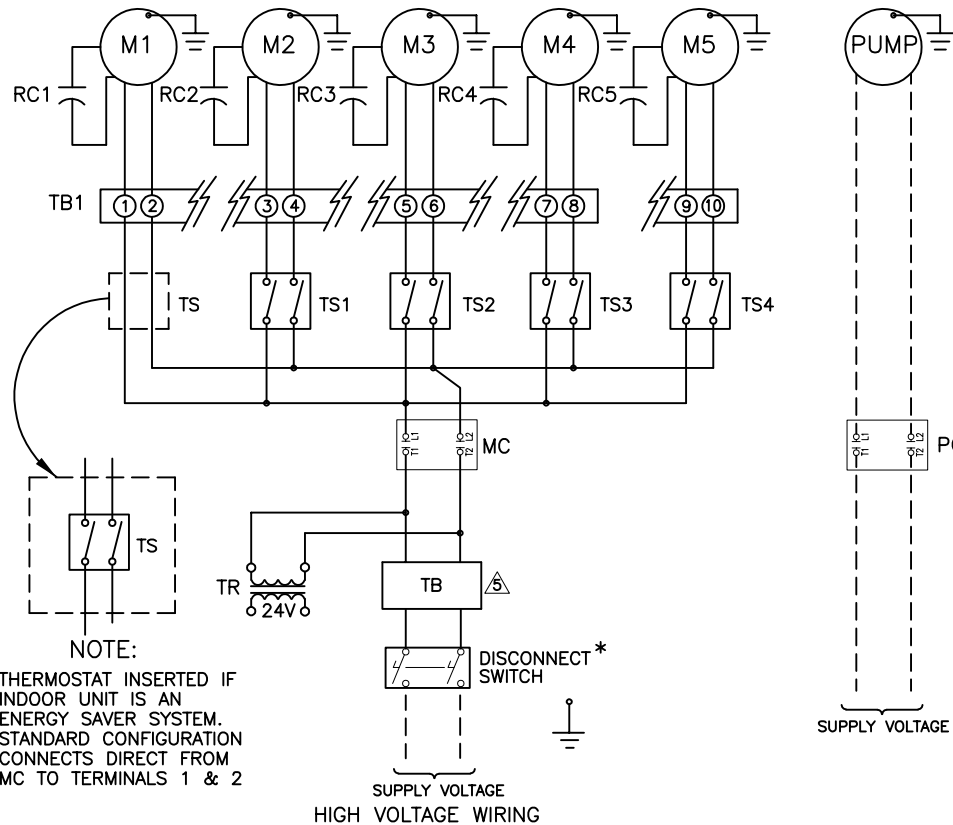
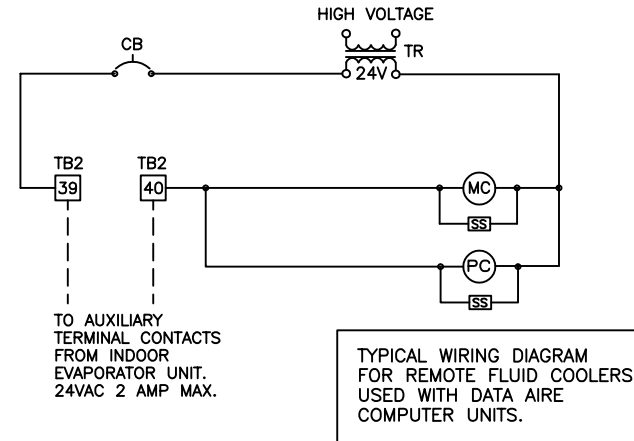


NOTES:

1. ELECTRICAL INSTALLATION MUST COMPLY WITH ALL APPLICABLE CODES.
2. MOTOR QUANTITY MAY VARY.
3. ALL FAN MOTOR 3/4 HP AND LESS WITH BE SINGLE PHASE.
4. USE COPPER CONDUCTORS.



NOTE:
THERMOSTAT INSERTED IF INDOOR UNIT IS AN ENERGY SAVER SYSTEM. STANDARD CONFIGURATION CONNECTS DIRECT FROM MC TO TERMINALS 1 & 2



TO AUXILIARY TERMINAL CONTACTS FROM INDOOR EVAPORATOR UNIT. 24VAC 2 AMP MAX.

TYPICAL WIRING DIAGRAM FOR REMOTE FLUID COOLERS USED WITH DATA AIRE COMPUTER UNITS.

PANEL LEGEND

- CB = CIRCUIT BREAKER
 - M = MOTOR
 - MC = MOTOR CONTACTOR
 - PC = PUMP CONTACTOR
 - RC = RUN CAPACITOR
 - SS = SURGE SUPPRESSOR
 - TB = TERMINAL BLOCK
 - TR = TRANSFORMER
 - TS = THERMOSTAT
- * = OPTIONAL COMPONENT
 - - - = FIELD WIRING
 - ⚡ = TB MAY BE OMITTED WHEN DISCONNECT SWITCH IS USED

© Copyright 2010 Data Aire, Inc.



DWG TITLE:
REMOTE FLUID COOLER (SINGLE PHASE)

JOB NO:	DRAWN BY: <i>M. COCHRAN</i>
PROJECT NO: <i>DFCS002</i>	CHECKED BY: <i>F. BELTRAN</i>
OPTION:	EFFECTIVITY DATE: <i>09-13-2018</i>
DIAGRAM NO: <i>DFC-S-002</i>	REVISION: <i>2</i>