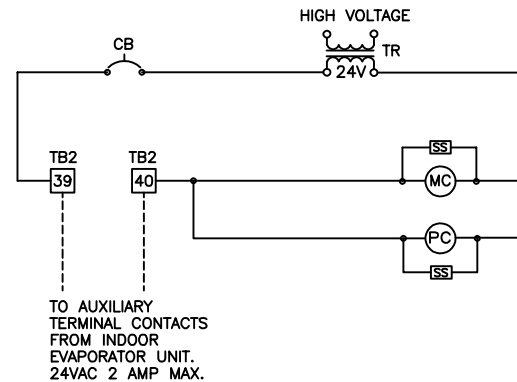
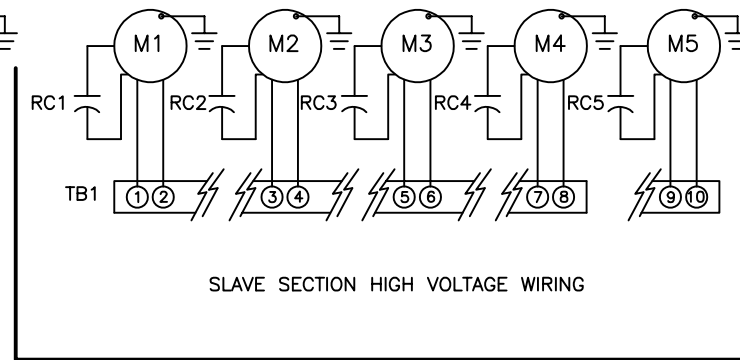
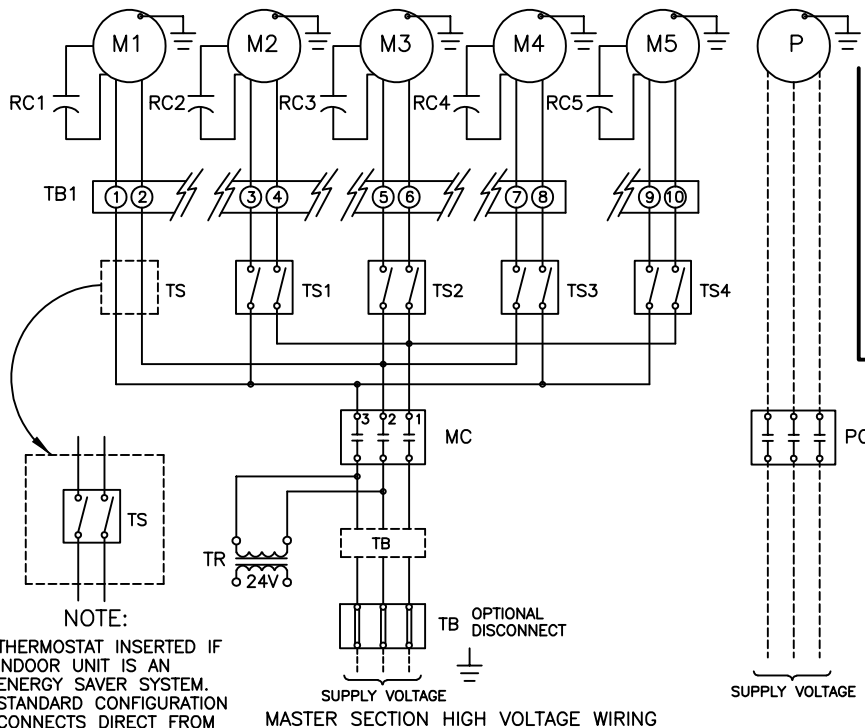


LEGEND

- CB = CIRCUIT BREAKER
- DS = DISCONNECT SWITCH
- M = MOTOR
- MC = MOTOR CONTACTOR
- P = PUMP
- PC = PUMP CONTACTOR
- RC = RUN CAPACITOR
- SS = SURGE SUPPRESSOR
- TB = TERMINAL BLOCK
- TR = TRANSFORMER
- TS = THERMOSTAT
- = FIELD WIRING

NOTES:

1. ELECTRICAL INSTALLATION MUST COMPLY WITH ALL APPLICABLE CODES.
2. MOTOR QUANTITY MAY VARY.
3. ALL FAN MOTORS 3/4 HP AND LESS WILL BE SINGLE PHASE.
4. USE COPPER CONDUCTORS.
5. THE MASTER SECTION OF THE UNIT WILL HAVE A COMPLETE ELECTRICAL BOX AND SLAVE SECTION WILL HAVE AN ELECTRICAL BOX THAT ONLY HAS A TERMINAL BLOCK FOR HIGH VOLTAGE MOTOR WIRES. WIRING MUST BE CONNECTED FROM TERMINAL 1 TO TERMINAL 1, TERMINAL 2 TO TERMINAL 2, ECT. FANS SHOULD CYCLE IN BANKS OF TWO.



NOTE:
THERMOSTAT INSERTED IF INDOOR UNIT IS AN ENERGY SAVER SYSTEM. STANDARD CONFIGURATION CONNECTS DIRECT FROM MC TO TERMINALS 1 & 2

TYPICAL WIRING DIAGRAM FOR DOUBLE WIDE REMOTE FLUID COOLERS USED WITH DATA AIRE UNITS.

DOUBLE WIDE
REMOTE FLUID COOLER

dataaire

DRAWN BY : ARAMOS	SCALE : 0
CHECKED BY : F.BELTRAN	DAFC LAD
DATE : 01-27-2017	SHT. 1 OF 1

DFC-S-003

PART NO.