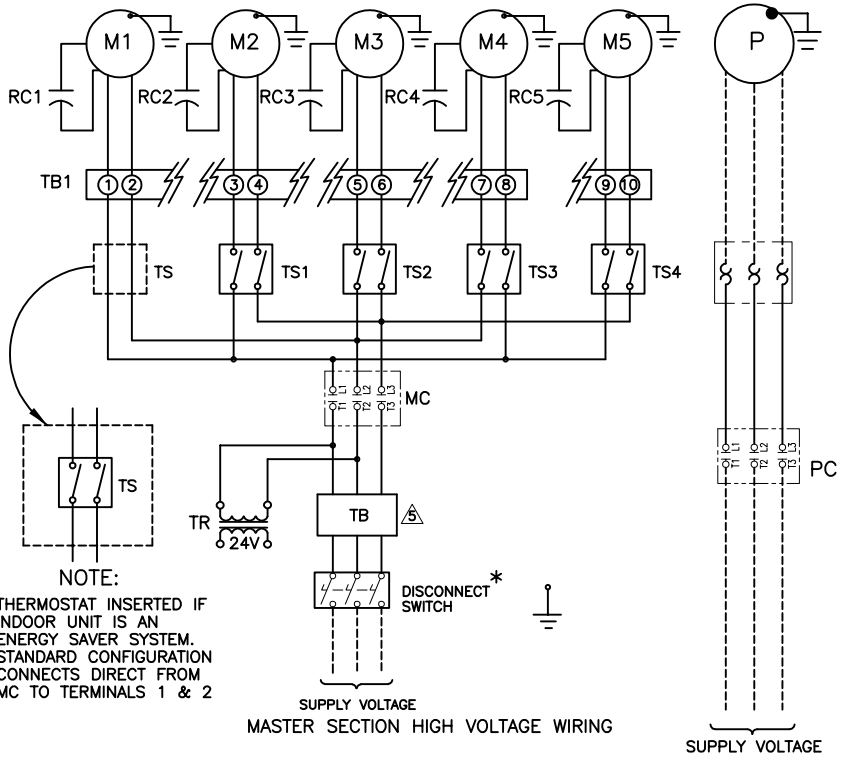
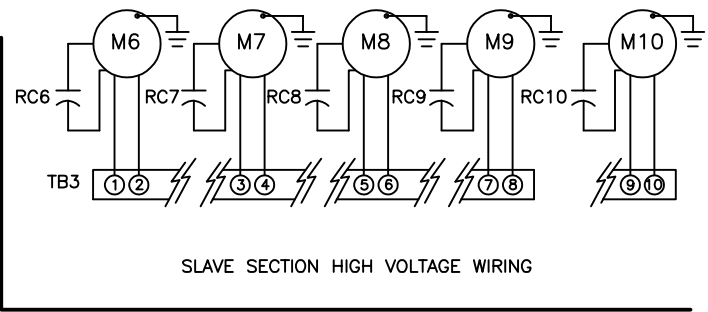


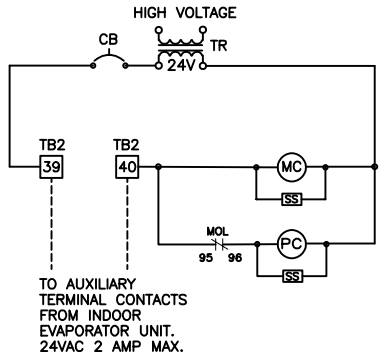
HIGH VOLTAGE FIELD WIRING IN LIQUID TIGHT CONDUIT.
OBSERVE LOCAL CODES



MASTER SECTION HIGH VOLTAGE WIRING



SLAVE SECTION HIGH VOLTAGE WIRING



TO AUXILIARY
TERMINAL CONTACTS
FROM INDOOR
EVAPORATOR UNIT.
24VAC 2 AMP MAX.

NOTES:

1. ELECTRICAL INSTALLATION MUST COMPLY WITH ALL APPLICABLE CODES.
2. MOTOR QUANTITY MAY VARY.
3. ALL FAN MOTORS 3/4 HP AND LESS WILL BE SINGLE PHASE.
4. USE COPPER CONDUCTORS.
5. THE MASTER SECTION OF THE UNIT WILL HAVE A COMPLETE ELECTRICAL BOX AND THE SLAVE SECTION WILL HAVE AN ELECTRICAL BOX THAT ONLY HAS A TERMINAL BLOCK FOR HIGH VOLTAGE MOTOR WIRES. WIRING MUST BE CONNECTED FROM TERMINAL 1 TO TERMINAL 1, TERMINAL 2 TO TERMINAL 2, ECT. FANS SHOULD CYCLE IN BANKS OF TWO.

NOTE:
THERMOSTAT INSERTED IF
INDOOR UNIT IS AN
ENERGY SAVER SYSTEM.
STANDARD CONFIGURATION
CONNECTS DIRECT FROM
MC TO TERMINALS 1 & 2

PANEL LEGEND

CB	=	CIRCUIT BRAKER
M	=	MOTOR
MC	=	MOTOR CONTACTOR
MOL	=	MOTOR OVERLOAD
PC	=	PUMP CONTACTOR
RC	=	RUN CAPACITOR
SS	=	SURGE SUPPRESSOR
TB	=	TERMINAL BLOCK
TR	=	TRANSFORMER
TS	=	THERMOSTAT
*	=	OPTIONAL COMPONENT
---	=	FIELD WIRING
⚠	=	TB MAY BE OMITTED WHEN DISCONNECT SWITCH IS USED

© Copyright 2009 Data Aire, Inc.

dataaire
230 W. BLUERIDGE AVE. ORANGE, CA. 92865

DWG TITLE:
**DOUBLE WIDE
REMOTE FLUID COOLER**

JOB NO:	DRAWN BY: CABE
CREATION DATE: 08-14-2019	CHECKED BY: F. BELTRAN
OPTION:	REVISION DATE: 03-09-2021
DIAGRAM NO: DFC-S-003	REVISION: A