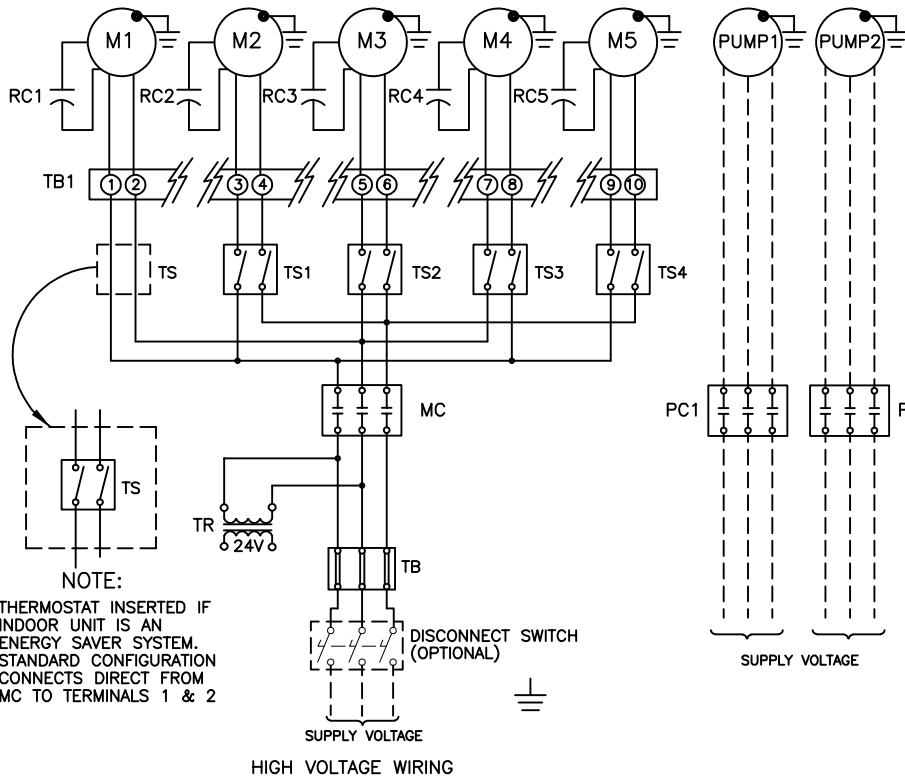


NOTES:

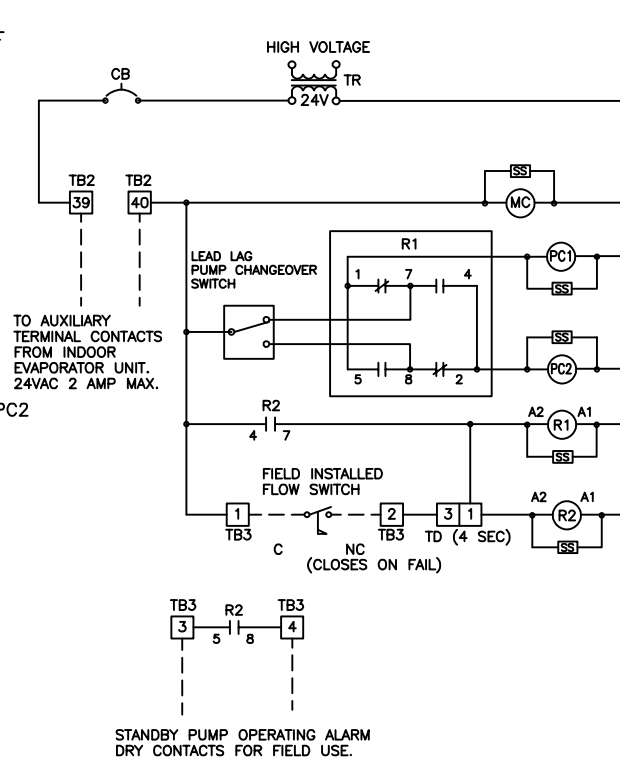
1. ELECTRICAL INSTALLATION MUST COMPLY WITH ALL APPLICABLE CODES.
2. MOTOR QUANTITY MAY VARY.
3. ALL FAN MOTORS 3/4 HP AND LESS WILL BE SINGLE PHASE.
4. USE COPPER CONDUCTORS.
5. DATA AIRE PUMPS PROVIDED WITHOUT AN INTERNAL THERMAL OVERLOAD PROTECTOR. FIELD WIRED PUMPS REQUIRE FIELD PROVIDED OVERLOAD PROTECTORS.

LEGEND

- C = COMMON
- CB = CIRCUIT BREAKER
- DS = DISCONNECT SWITCH
- M = MOTOR
- MC = MOTOR CONTACTOR
- MOL = MOTOR OVERLOAD
- NC = NORMALLY CLOSED
- PC = PUMP CONTACTOR
- R = RELAY
- RC = RUN CAPACITOR
- SS = SURGE SUPPRESSOR
- TB = TERMINAL BLOCK
- TD = TIME DELAY
- TR = TRANSFORMER
- TS = THERMOSTAT
- = FIELD WIRING



NOTE:
THERMOSTAT INSERTED IF INDOOR UNIT IS AN ENERGY SAVER SYSTEM. STANDARD CONFIGURATION CONNECTS DIRECT FROM MC TO TERMINALS 1 & 2



**REMOTE FLUID COOLER
PUMP AUTOCHANGEOVER
CONTROL**

dataaire

DRAWN BY: M. COCHRAN	SCALE: NONE
CHECKED BY: F. BELTRAN	SH 1 OF 1
DATE: 06-12-2018	REV E

PART OF

DFC-S-051
DWG NO.