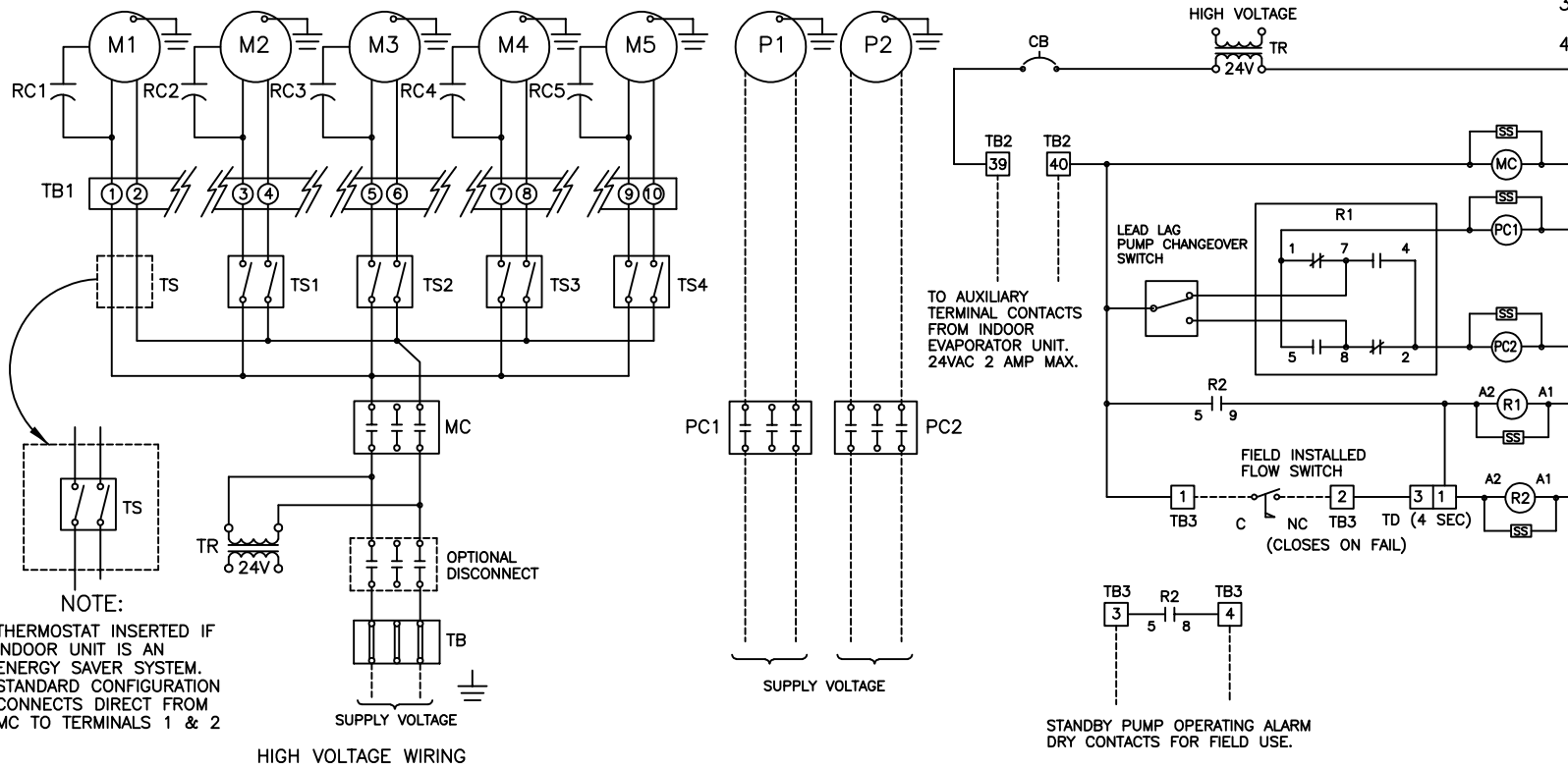


LEGEND

- C = COMMON
- CB = CIRCUIT BREAKER
- DS = DISCONNECT SWITCH
- M = MOTOR
- MC = MOTOR CONTACTOR
- NC = NORMALLY CLOSED
- PC = PUMP CONTACTOR
- R = RELAY
- RC = RUN CAPACITOR
- SS = SURGE SUPPRESSOR
- TB = TERMINAL BLOCK
- TD = TIME DELAY
- TR = TRANSFORMER
- TS = THERMOSTAT
- = FIELD WIRING

NOTES:

1. ELECTRICAL INSTALLATION MUST COMPLY WITH ALL APPLICABLE CODES.
2. MOTOR QUANTITY MAY VARY.
3. ALL FAN MOTORS 3/4 HP AND LESS WILL BE SINGLE PHASE.
4. USE COPPER CONDUCTORS.



REMOTE FLUID COOLER PUMP AUTOCHANGEOVER CONTROL (SINGLE PHASE)	
DRAWN BY : ARAMOS	SCALE : 0
CHECKED BY : F. BELTRAN	DAFC LAD FCS052
DATE : 01-27-2017	SHT. 1 OF 1
DFC-S-052 PART NO.	