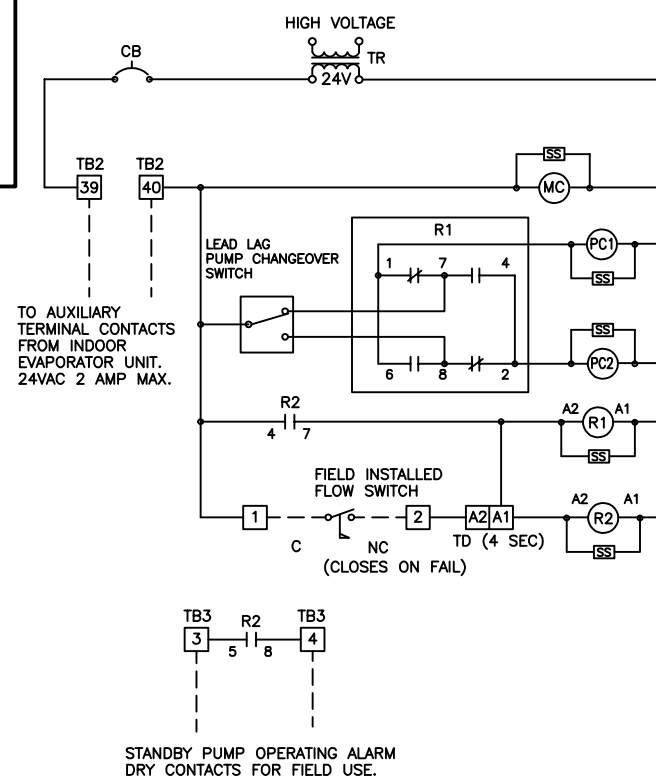
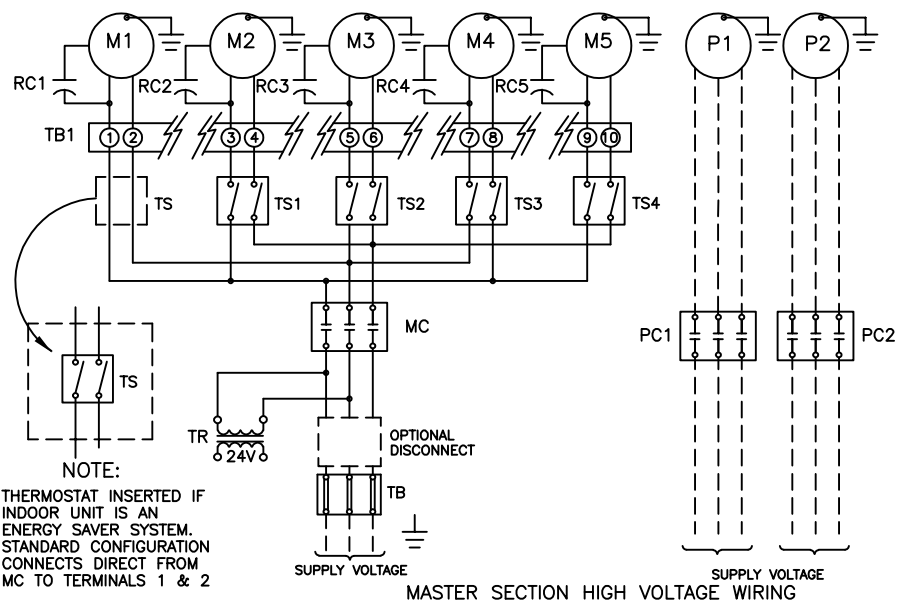
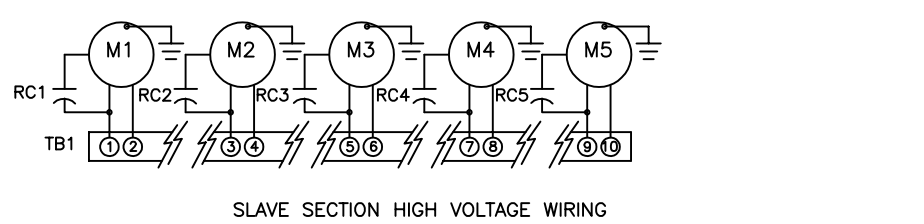


### LEGEND

- C = COMMON
- CB = CIRCUIT BREAKER
- DS = DISCONNECT SWITCH
- M = MOTOR
- MC = MOTOR CONTACTOR
- NC = NORMALLY CLOSED
- PC = PUMP CONTACTOR
- R = RELAY
- RC = RUN CAPACITOR
- SS = SURGE SUPPRESSOR
- TB = TERMINAL BLOCK
- TD = TIME DELAY
- TR = TRANSFORMER
- TS = THERMOSTAT
- = FIELD WIRING

### NOTES:

1. ELECTRICAL INSTALLATION MUST COMPLY WITH ALL APPLICABLE CODES.
2. MOTOR QUANTITY MAY VARY.
3. ALL FAN MOTORS 3/4 HP AND LESS WILL BE SINGLE PHASE.
4. USE COPPER CONDUCTORS.
5. MASTER SECTION OF THE UNIT WILL HAVE A COMPLETE ELECTRICAL BOX AND SLAVE SECTION WILL HAVE AN ELECTRICAL BOX THAT ONLY HAS A TERMINAL BLOCK FOR HIGH VOLTAGE MOTOR WIRES. WIRING MUST BE CONNECTED FROM TERMINAL 1 TO TERMINAL 1, TERMINAL 2 TO TERMINAL 2, ETC. FANS SHOULD CYCLE IN BANKS OF TWO.



REMOTE FLUID COOLER  
PUMP AUTOCHANGEOVER CONTROL  
DOUBLE WIDE



DRAWN BY : ARAMOS	SCALE : 0
CHECKED BY : F.BELTRAN	DAFC LAD DFCS053
DATE : 01-27-2017	SHT. 1 OF 1

DFC-S-053  
PART NO.