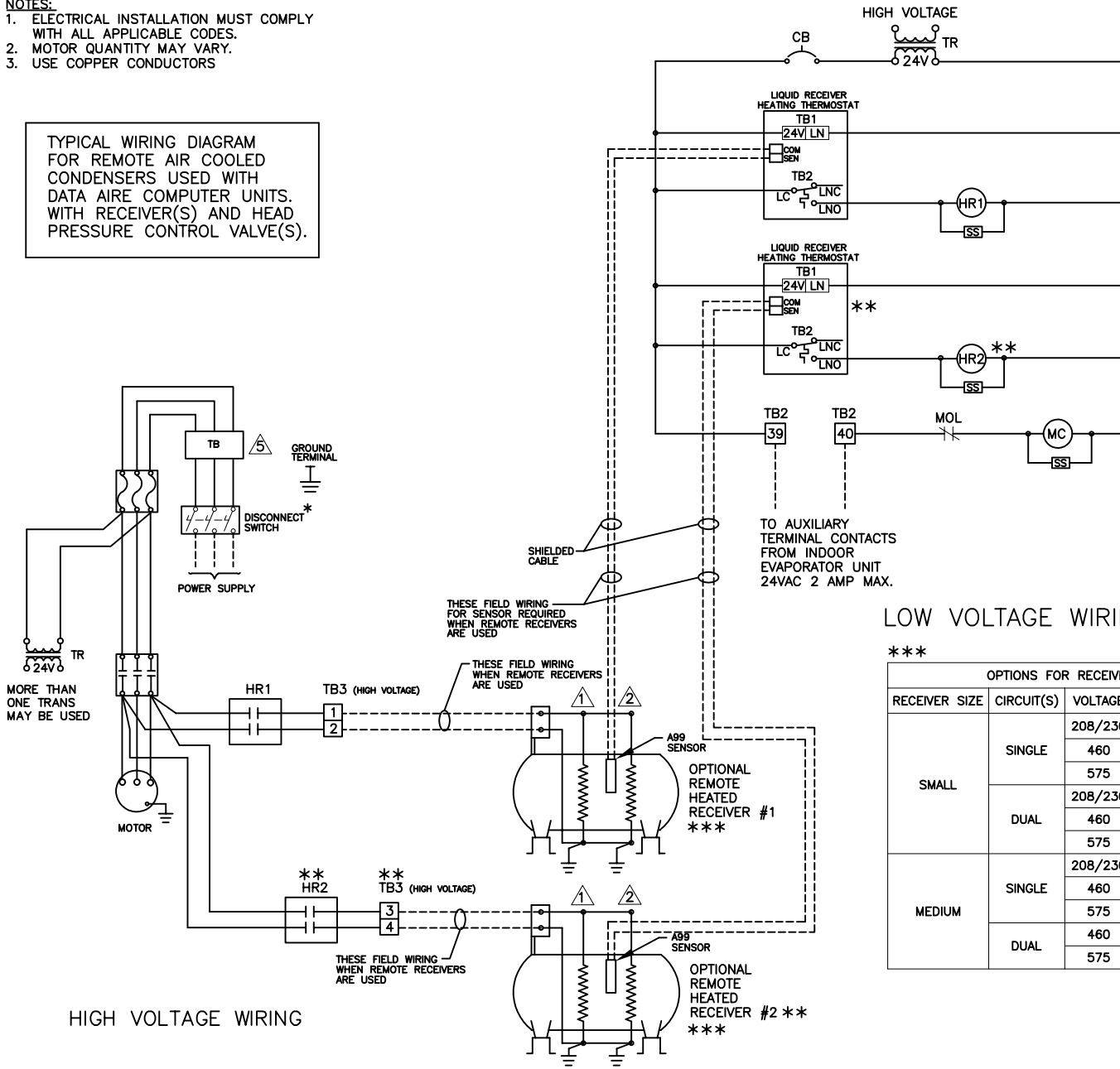


**NOTES:**

1. ELECTRICAL INSTALLATION MUST COMPLY WITH ALL APPLICABLE CODES.
2. MOTOR QUANTITY MAY VARY.
3. USE COPPER CONDUCTORS

TYPICAL WIRING DIAGRAM FOR REMOTE AIR COOLED CONDENSERS USED WITH DATA AIR COMPUTER UNITS. WITH RECEIVER(S) AND HEAD PRESSURE CONTROL VALVE(S).



**HIGH VOLTAGE**

**LOW VOLTAGE WIRING**

\*\*\*

OPTIONS FOR RECEIVER CRANKCASE HEATERS (CCHTR)					
RECEIVER SIZE	CIRCUIT(S)	VOLTAGE	DESCRIPTION	CCHTR QTY	PART NO.
SMALL	SINGLE	208/230	CCHTR X1, 90W	1	153-090-001
		460	CCHTR X1, 70W	1	153-035-004
		575	CCHTR X1, 70W	1	153-035-005
	DUAL	208/230	CCHTR X2, 90W	2	153-090-001
		460	CCHTR X2, 70W	2	153-035-004
		575	CCHTR X2, 70W	2	153-035-005
MEDIUM	SINGLE	208/230	CCHTR X2, 90W	2	153-090-001
		460	CCHTR X2, 70W	2	153-035-004
		575	CCHTR X2, 70W	2	153-035-005
	DUAL	460	CCHTR X4, 70W	4	153-035-004
		575	CCHTR X4, 70W	4	153-035-005
			CCHTR X4, 70W	4	153-035-005

**PANEL LEGEND**

- CB = CIRCUIT BREAKER
  - DS = DISCONNECT SWITCH
  - HR = HEATER RELAY
  - LTS = LOCKOUT THERMOSTAT
  - MC = MOTOR CONTACTOR
  - MF = MOTOR FUSE
  - MOL = MOTOR OVERLOAD
  - SS = SURGE SUPPRESSOR
  - TB = TERMINAL BLOCK
  - TR = TRANSFORMER
- \* = OPTIONAL COMPONENT
  - Ⓢ = TERMINAL BLOCK NO.
  - \*\* = OPTION FOR DUAL CIRCUIT ONLY
  - = FIELD WIRING
- \*\*\* = SEE TABLE FOR CCH DETAILS
  - ⚠ = APPLIES TO SMALL SINGLE CIRCUIT CCH
  - ⚠ = APPLIES TO MEDIUM DUAL CIRCUIT CCH
  - ⚠ = TB MAY BE OMITTED WHEN DISCONNECT SWITCH IS USED

© Copyright 2008 Data Aire, Inc.



**DWG TITLE:**  
**AIR COOLED CONDENSER**  
**PIGGY BACK**  
**(THREE PHASE)**

JOB NO:	DRAWN BY:
PROJECT NO: DRC3001PB	M. COCHRAN
OPTION:	CHECKED BY: P. BELFRAN
DIAGRAM NO:	EFFECTIVITY DATE: 12-27-2018
	REVISION: H

**DRC-S-001 PB**