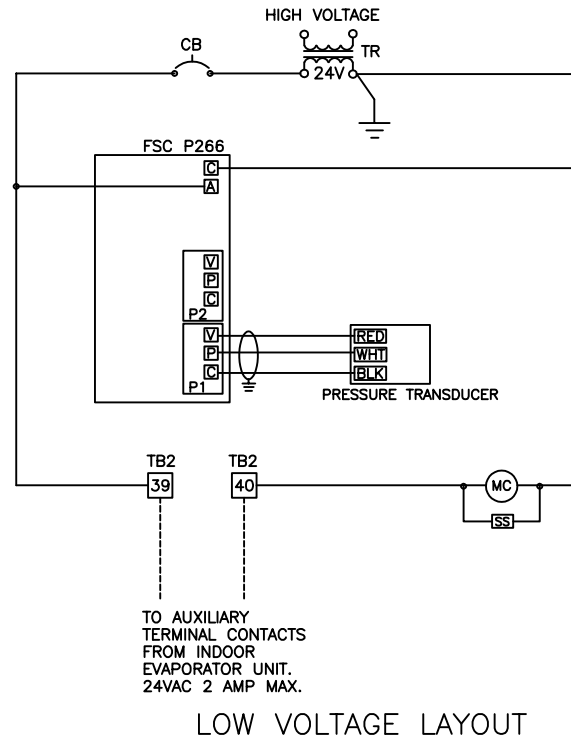
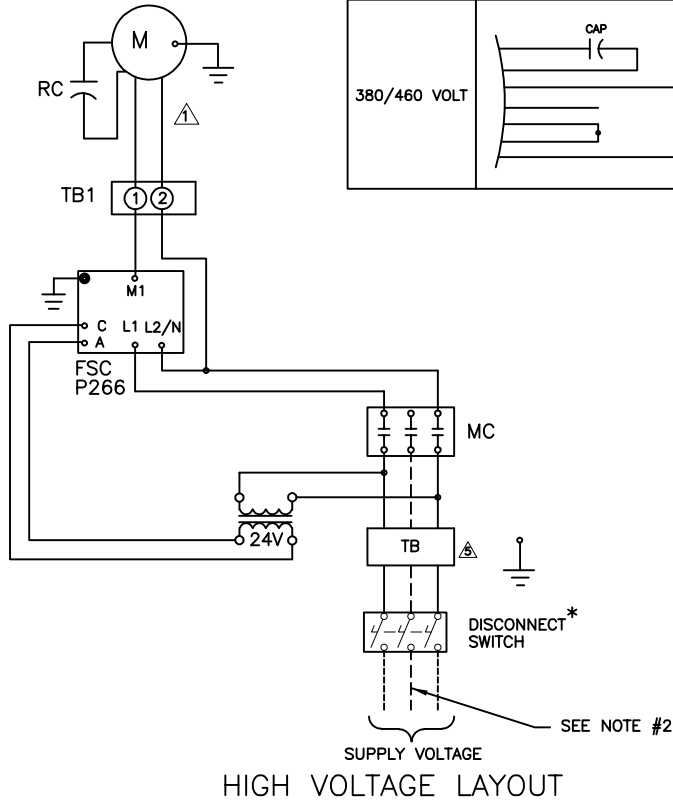
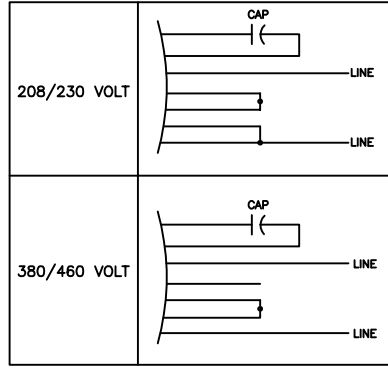


NOTES:

1. ELECTRICAL INSTALLATION MUST COMPLY WITH ALL APPLICABLE CODES.
2. THIS UNIT CAN ACCOMMODATE SINGLE OR THREE PHASE INPUT POWER WHERE ONE LEG OF THE THREE PHASE IS NOT USED.
3. ALL FAN MOTORS 3/4 HP AND LESS WILL BE SINGLE PHASE
4. USE COPPER CONDUCTORS.

TYPICAL WIRING DIAGRAM FOR REMOTE AIR COOLED CONDENSERS USED WITH DATA AIRE COMPUTER ROOM A/C UNITS.

FASCO MOTOR WIRE CONNECTIONS



PANEL LEGEND

- CB = CIRCUIT BREAKER
- FSC = FAN SPEED CONTROLLER
- M = MOTOR
- MC = MOTOR CONTACTOR
- RC = RUN CAPACITOR
- SS = SURGE SUPPRESSOR
- TB = TERMINAL BLOCK
- TR = TRANSFORMER

- * = OPTIONAL COMPONENT
- Ⓢ = TERMINAL BLOCK NO.
- = FIELD WIRING
- - - = LEG OF 3 PHASE WIRING

- ⚠ = SEE TABLE FOR FASCO MOTOR WIRING CONNECTIONS
- ⚠ = TB MAY BE OMITTED WHEN DISCONNECT SWITCH IS USED

© Copyright 2010 Data Aire, Inc.



DWG TITLE:
**REMOTE AIR COOLED
 CONDENSING UNIT
 (SINGLE FAN)
 WITH P266 FSC**

JOB NO:	DRAWN BY: M. COCHRAN
PROJECT NO: DRC504	CHECKED BY: F. BELTRAN
OPTION:	EFFECTIVITY DATE: 01-16-2019
DIAGRAM NO:	REVISION: F

DRC-S-504