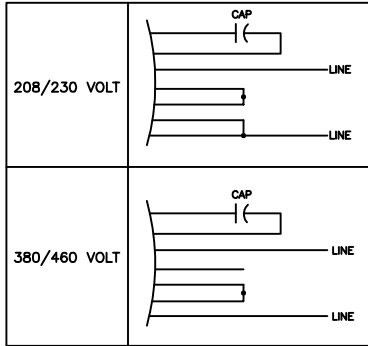
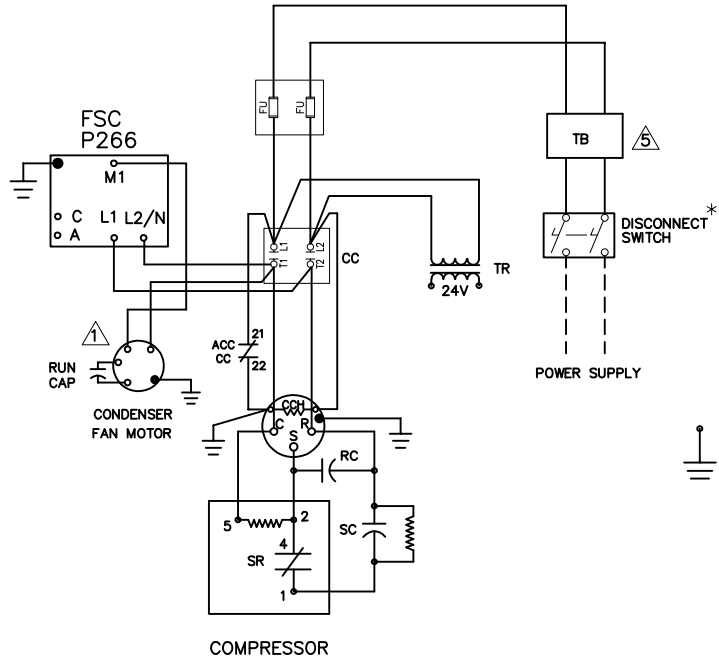
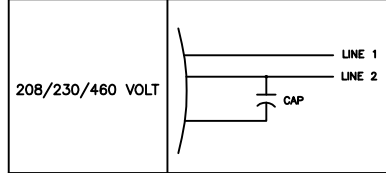


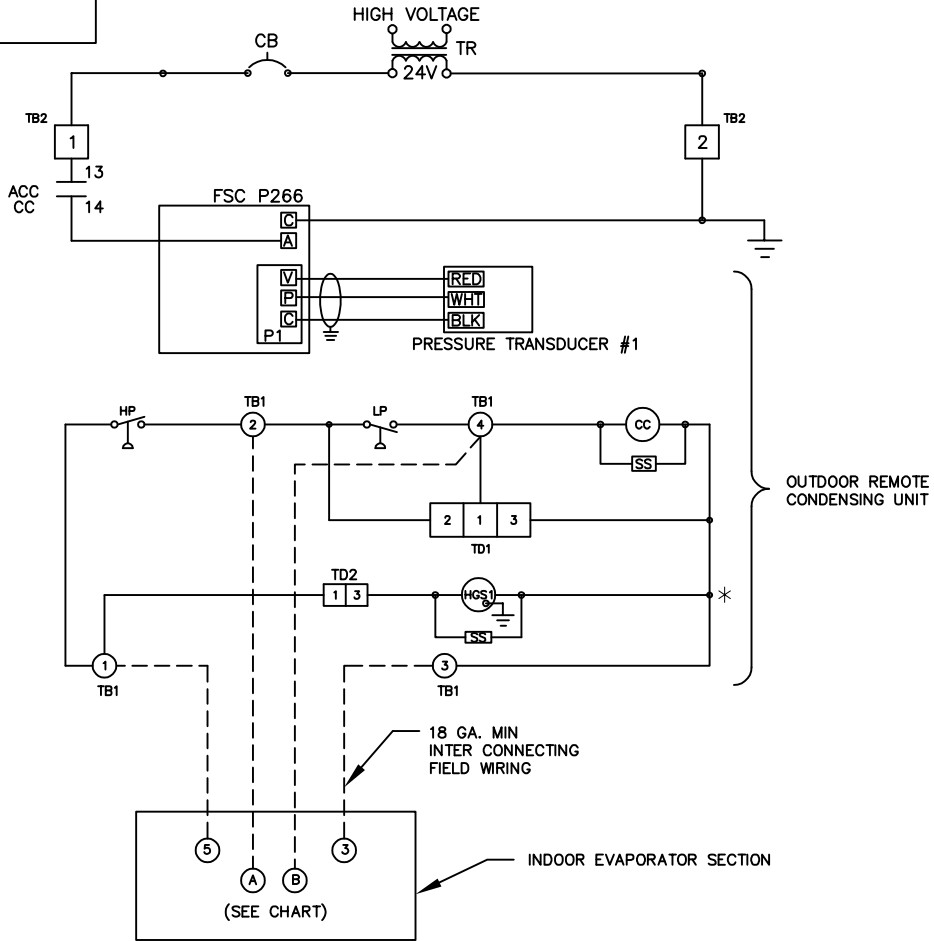
⚠ FASCO MOTOR WIRE CONNECTIONS



⚠ MARATHON LOW DECIBLE MOTOR WIRE CONNECTIONS



HIGH VOLTAGE WIRING FOR REMOTE CONDENSING UNIT



MICROPROCESSOR	A	B
MINI-DAP II	#11	NOT REQ'D
MINI-DAP III	#14	NOT REQ'D
DAP III & dap4	#25	#26

**PANEL LEGEND**

- ACC = AUXILIARY COMPRESSOR CONTACT
  - CC = COMPRESSOR CONTACTOR
  - CCH = CRANK-CASE HEATER
  - FSC = FAN SPEED CONTROLLER
  - FU = FUSE
  - HP = HIGH PRESSURE CUTOUT
  - LP = LOW PRESSURE CUTOUT
  - OLR = OVERLOAD RELAY
  - RC = RUN CAPACITOR
  - SC = START CAPACITOR
  - SR = START RELAY
  - SS = SURGE SUPPRESSOR
  - TB = TERMINAL BLOCK
  - TD = TIME DELAY
  - TR = TRANSFORMER
- (N) = TERMINAL BLOCK NO.
  - (N) = TERMINAL BLOCK # ON INDOOR UNIT
  - = FIELD WIRING
  - \*
  - ⚠ = SEE TABLES FOR MOTOR WIRING CONNECTIONS
  - ⚡ = TB MAY BE OMITTED WHEN DISCONNECT SWITCH IS USED

© Copyright 2018 Data Aire, Inc.



DWG TITLE:  
**REMOTE AIR COOLED  
 CONDENSING UNIT  
 (SINGLE PHASE)  
 WITH P266 FSC**

JOB NO:	DRAWN BY: <b>M. COCHRAN</b>
PROJECT NO: <b>DRC5508</b>	CHECKED BY: <b>F. BELTRAN</b>
OPTION:	EFFECTIVITY DATE: <b>02-14-2019</b>
	REVISION: <b>J</b>

DIAGRAM NO:  
**DRC-S-508**