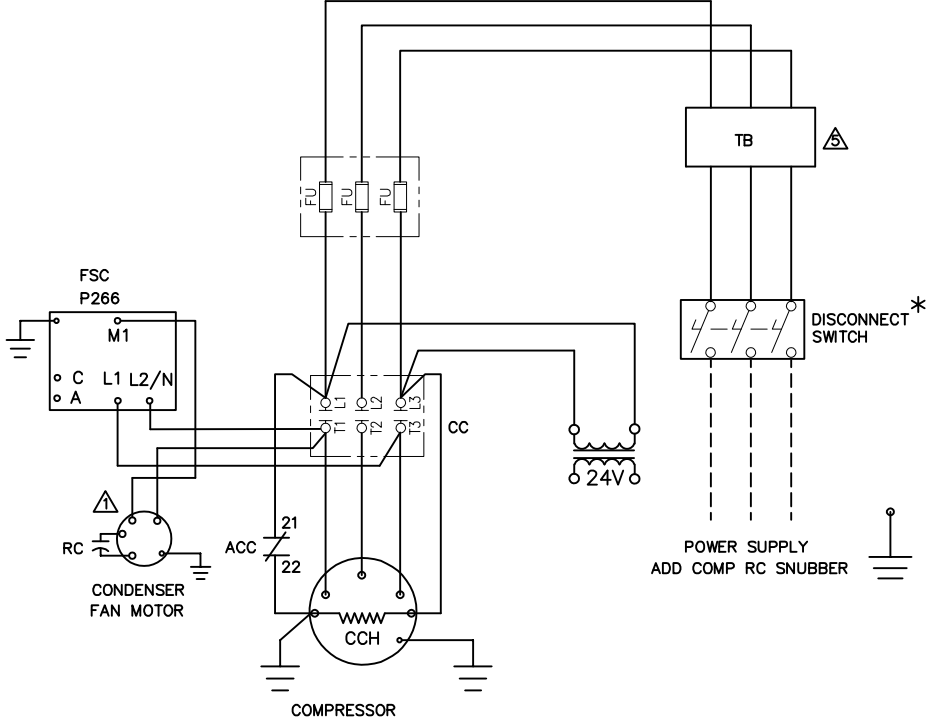
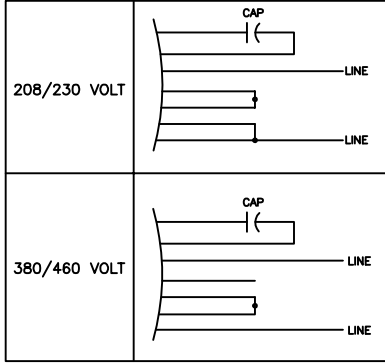
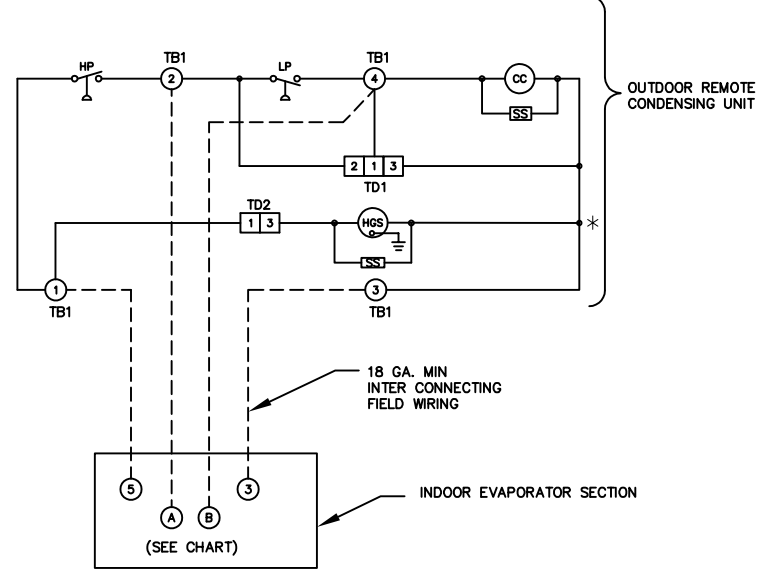
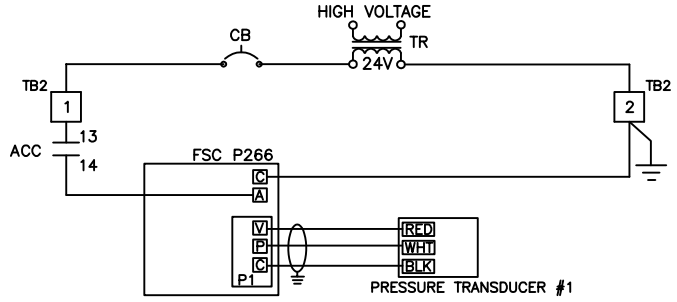


**FASCO MOTOR WIRE CONNECTIONS**



**HIGH VOLTAGE WIRING FOR REMOTE CONDENSING UNIT**



MICROPROCESSOR	A	B
MINI-DAP II	#11	NOT REQ'D
DAP II	#22	#23
MINI-DAP III	#14	NOT REQ'D
DAP III & dap4	#25	#26

**PANEL LEGEND**

- ACC = AUXILIARY COMPRESSOR CONTACT
  - CB = CIRCUIT BREAKER
  - CC = COMPRESSOR CONTACTOR
  - CCH = CRANK-CASE HEATER
  - CF = COMPRESSOR FUSE
  - FSC = FAN SPEED CONTROLLER
  - HGS = HOT GAS SOLENOID
  - HP = HIGH PRESSURE CUTOFF
  - LP = LOW PRESSURE CUTOFF
  - OLR = OVERLOAD RELAY
  - RC = RUN CAPACITOR
  - SS = SURGE SUPPRESSOR
  - TB = TERMINAL BLOCK
  - TD = TIME DELAY
  - TR = TRANSFORMER
- Ⓜ = TERMINAL BLOCK NO.  
 [ ] = TERMINAL BLOCK # ON INDOOR UNIT  
 - - - - - FIELD WIRING  
 \* = OPTIONAL COMPONENT  
 ⚠ = SEE TABLE FOR FASCO MOTOR WIRING CONNECTIONS  
 ⚡ = TB MAY BE OMITTED WHEN DISCONNECT SWITCH IS USED

© Copyright 2010 Data Aire, Inc.



**DWG TITLE:**  
**REMOTE AIR COOLED CONDENSING UNIT (THREE PHASE) WITH P266 FSC, 3-5 TON**

JOB NO: \_\_\_\_\_ DRAWN BY: **M. COCHRAN**  
 PROJECT NO: **DRC5528** CHECKED BY: **F. BELTRAN**  
 EFFECTIVITY DATE: **01-28-2019**  
 OPTION: \_\_\_\_\_ REVISION: **J**

DIAGRAM NO: **DRC-S-528**