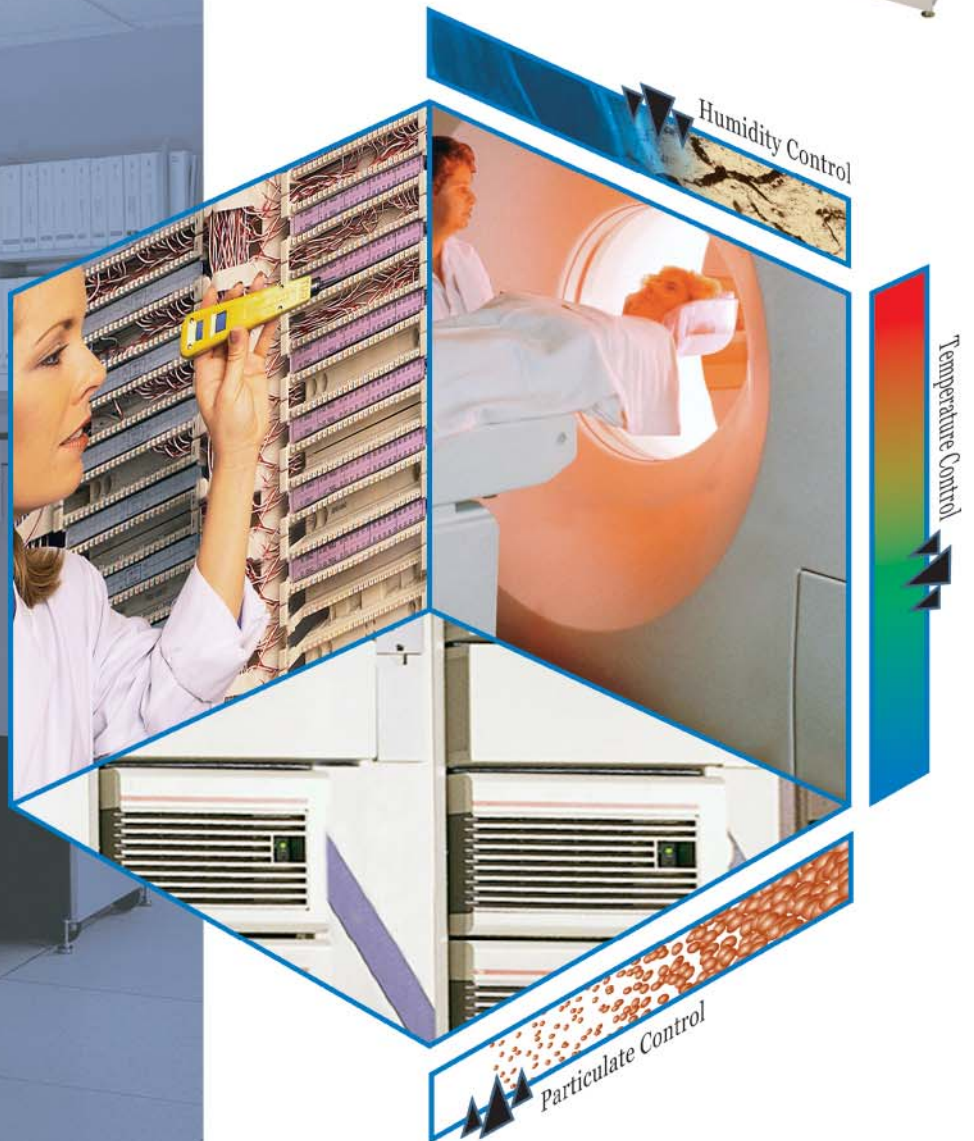


Data Cool™

Air Cooled, Water/Glycol Cooled
or Chilled Water

2 and 3 ton

R-410a



DAI
DATA AIRE INC.®

ISO 9001:2008 Certified



DATA COOL™

● Compact Design

● Versatile

● Rugged Construction

● Options

Today's electronic componentry is shrinking in size while becoming more powerful, a tremendous advantage for those of us who use it daily, however, smaller, faster and more functional requires more power and results in more heat being produced. This is precisely the reason Data Aire introduced the Data Cool. Whether you are in a large data center with out of the way areas or a confined space with high powered computers, cooling can be a difficult problem.

Compact Design – Data Cool is small in size allowing it to fit in the minimal amount of space, out of the way, while providing a high degree of cooling. Just over a foot and a half deep it takes up a limited amount of floor space. This means that it is perfect for a hard to manage area of a data center or a small office setting. Having the compressor outside allows the Data Cool to operate quietly, just the sound of the cool air blowing across the space.

Versatile – Not only is the Data Cool compact it can be mounted either on the floor or wall, eliminating the need for any floor space at all. You also have the option of air, water/glycol cooling or chilled water. In order to meet your requirements exactly, the Data Cool is offered in 2 or 3 ton capacities. For additional installation flexibility Data Cool comes in 208 voltage single phase. All components are accessible via the



front of the unit, eliminating the need for access on the back side. A concealed hinged control panel allows easy access, should the need arise. Data Cool comes standard with an electronic control but can be equipped with an optional Data Aire microprocessor controller, Mini DAP III or remote wall mounted DAP III, providing a wide range of controls and direct communication to your building management system (BMS).

Rugged Construction – Data Cool starts with a welded tubular steel frame to ensure stability. Mounted inside is a specifically designed coil consisting of aluminum fins and copper tubing for maximum heat transfer. To facilitate condensate removal Data Cool is equipped with a stainless steel drain pan with cut off switch to eliminate any possibility of leakage. Sides of the Data Cool are manufactured from aluminum and steel providing additional strength with a minimum amount of weight. Sound absorbing insulation is attached to each side to ensure the quietest operation possible. Frame and sides are powder coated to eliminate the possibility of rust resulting in a long life with always a professional appearance. Finally the Data Cool is equipped with load leveling legs allowing it to be adjusted.

Options – Data Aire's standard Data Cool is fully functional for immediate use in most any application; however, in some instances the need may arise to add options to meet more demanding conditions. Data Cool has a wide variety of options.

CAPACITY in Btu/hr - gross		Air Cooled		R-410a	WaterGlycol Cooled	
		DCAU-02	DCAU-03		DCWU-02	DCWU-03
80° DB/67° WB 50% RH	<i>Total</i>	27,800	38,600	R-410a	26,900	37,600
	<i>Sensible</i>	22,100	26,700		21,700	26,200
75° DB/62.5° WB 50% RH	<i>Total</i>	25,800	35,700		24,900	34,700
	<i>Sensible</i>	21,200	25,800		20,800	25,300
75° DB/61° WB 45% RH	<i>Total</i>	24,900	34,700		24,000	33,700
	<i>Sensible</i>	22,500	27,200		22,300	26,900
72° DB/60° WB 50% RH	<i>Total</i>	24,600	34,000		23,700	33,000
	<i>Sensible</i>	20,700	25,200		20,300	24,800
72° DB/58.6° WB 45% RH	<i>Total</i>	23,700	33,000		22,900	32,000
	<i>Sensible</i>	21,900	26,500		21,600	26,100

Chilled Water at 45° F entering chilled water temperature							
		DCCU-02	DCCU-03		DCCU-02	DCCU-03	
80° DB/67° WB 50% RH	<i>Total</i>	31,200	34,800	Using 45° Entering Water Temperature (EWT)			
	<i>Sensible</i>	23,800	25,300				
75° DB/62.5° WB 50% RH	<i>Total</i>	24,700	27,100		GPM	6.0	9.0
	<i>Sensible</i>	21,500	22,600		PD, PSI	9.7	25.3
75° DB/61° WB 45% RH	<i>Total</i>	23,500	25,300				
	<i>Sensible</i>	22,300	23,400				
72° DB/60° WB 50% RH	<i>Total</i>	21,400	23,200				
	<i>Sensible</i>	19,900	20,900				
72° DB/58.6° WB 45% RH	<i>Total</i>	20,600	22,000				
	<i>Sensible</i>	20,500	21,500				

Evaporator Electrical Data (208-230/1/60) - All Types of Cooling		
	DCxU-02	DCxU-03
<u>Standard Unit - no electric reheat, no steam generator humidifier</u>	5/6/15*	5/6/15
<u>Electric reheat - NO, 5 lbs steam generator humidifier - YES</u>	13/16/20	13/16/20
<u>Electric reheat - 4 kW YES, steam generator humidifier - NO</u>	24/30/35	24/30/35
<u>Electric reheat - 4 kW YES, 5 lbs steam generator humidifier - YES</u>	24/20/35	24/30/35

Evaporator Motor - 1/2 HP - 4.5 FLA

Component Data

Blower Section - Airflow - 975 CFM Standard motor - 1/2 hp

Filter Section - Quantity - 3 Size: 2 - 16 x 20 X 1 and 1 - 16 x 16 x 1 MERV Rating - 8

OPTIONAL - Reheat Section - Electric 4 kW, capacity - 13,650 Btu/hr

OPTIONAL - Humidifier Section - Steam generator, capacity - 5 lbs/hr - 1.7 kW

* FLA/MCA/MOP - FLA - Full load amps MCA - Minimum circuit amps (wire sizing amps) MOP - Maximum rating of over-current protection device

Air Cooled Outdoor Condensing Unit (AO)

Condensing unit at 95° and 100° F ambient

208-230/1/60
FLA/MCA/MOP*

DCAU-02

DRCU-0312
21/25/40

DCAU-03

DRCU-0312
25/30/50

Condensing fan motor 3/4 hp - FLA 3.6

208-230/3/60
FLA/MCA/MOP*

DRCU-0332
16/20/30

DRCU-0332
20/24/35

Condensing fan motor 3/4 hp - FLA 3.6

460/3//60
FLA/MCA/MOP*

DRCU-0334
8.2/9.8/15

DRCU-0334
9.5/11/15

Condensing fan motor 3/4 hp - FLA 1.8

Condensing unit at 105° F ambient

208-230/1/60
FLA/MCA/MOP*

DRCU-0312
21/25/40

DRCU-0512
25/30/50

Condensing fan motor 3/4 hp - FLA 3.6

208-230/3/60
FLA/MCA/MOP*

DRCU-0332
16/20/30

DRCU-0532
20/24/35

Condensing fan motor 3/4 hp - FLA 3.6

460/3//60
FLA/MCA/MOP*

DRCU-0334
8.2/9.8/15

DRCU-0534
9.5/11/15

Condensing fan motor 3/4 hp - FLA 1.8

Compressor - tons

208-230/1/60 FLA
208-230/3/60 FLA
460/3/60 FLA

2
17.0
12.8
6.4

3
21.0
16.0
7.7

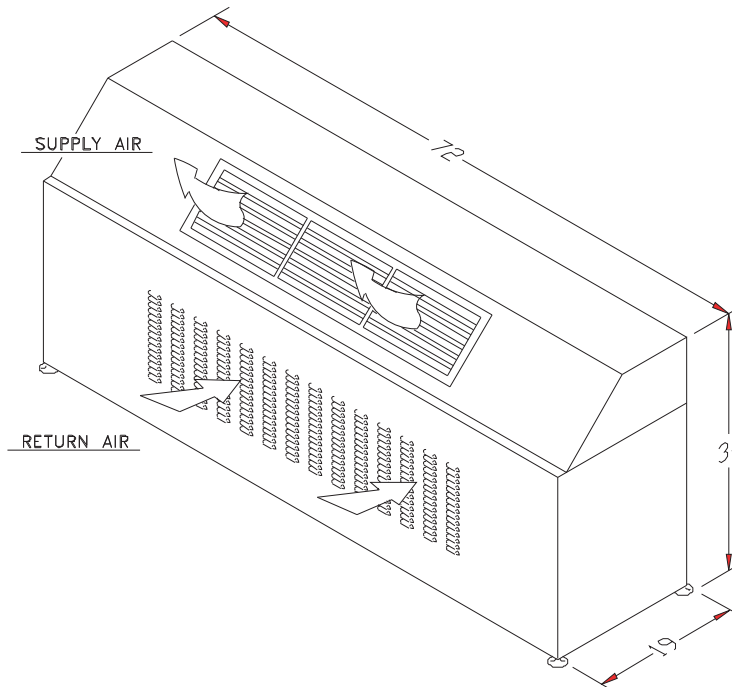
Water Cooled (WS) Indoor Condensing Unit

Indoor Water Cooled Condensing Unit
FLA/MCA/MOP*

DAWC-02
17/21/35

DAWC-03
21/26/45

Dimension Drawing



230 W. BlueRidge Avenue Orange, CA 92865

www.dataaire.com

800-347-2473

e-mail: sales@dataaire.com

A Member of the CS Group of Companies © 2012 Data Aire Inc.

DADC-0612 R-410a Rev. B

Data Aire, Inc. reserves the right to make design changes for the purposes of product improvement, or to withdraw any design without notice.