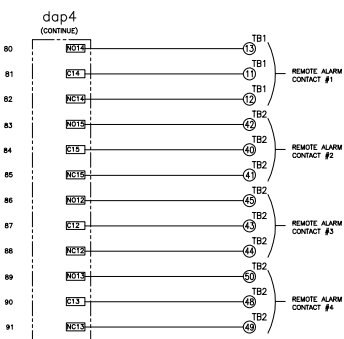
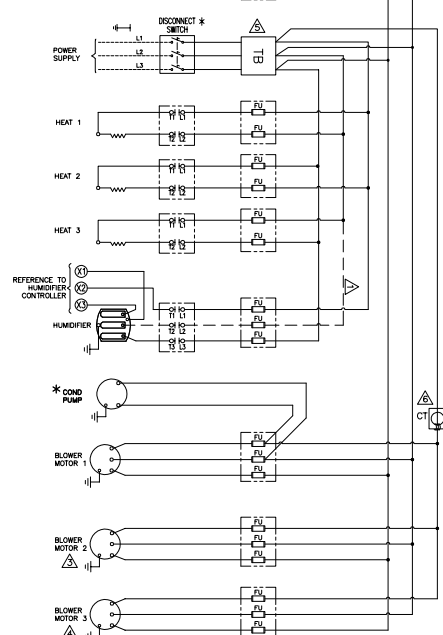


HIGH VOLTAGE WIRING



EC PLUG FAN MOTOR CONNECTION POINTS

MANUFACTURER	A	B	C	D
FANS-TECH	6/An1U	5/GND	Not Req'd	Not Req'd
EBM PAPT GEN II	4/An1U	3 or 10/GND	Not Req'd	Not Req'd
ZIEHL-ABEGG	E1	GND	D1	+24V
EBM PAPT GEN I	3 or 7/0-10V PWM	2 or 8/GND	Not Req'd	Not Req'd
ROSENBERG	5/0-10V/PWM	5/0-10V/PWM	11/Enable	10/+24V

TEMP AND HUMIDITY SENSOR CONNECTION

UNIT MOUNT	GRY	ORG	Wh	CDM	4-20 mA
ACI	-	+	Wh <td>CDM <td>4-20 mA</td> </td>	CDM <td>4-20 mA</td>	4-20 mA
CAREL	NTC	NTC	G+	M	0/10V

DWG TITLE:
gForce CW SERIES
 with DAP 4 CONTROLLER

230 W. BILBERGER AVE., ORANGE, CA 92665
dataaire
 © Copyright 2018 Data Aire, Inc.

PROJECT NO: **CPCS903XY**
 CHECKED BY: **F. BRITMAN**
 EFFECTIVE DATE: **10-10-2018**

DRAWN BY: **M. COCHRAN**
 DESIGN NO: **GFC-S-903 XY**

- PANEL LEGEND**
- ACI ALUMINUM COMPRESSOR CONTACT
 - BR1 BLOWER MOTOR
 - BR2 BLOWER MOTOR
 - BR3 BLOWER MOTOR
 - BR4 BLOWER MOTOR
 - CC1 COMPRESSOR CONTACT
 - CC2 COMPRESSOR CONTACT
 - CC3 COMPRESSOR CONTACT
 - CC4 COMPRESSOR CONTACT
 - CC5 COMPRESSOR CONTACT
 - CC6 COMPRESSOR CONTACT
 - CC7 COMPRESSOR CONTACT
 - CC8 COMPRESSOR CONTACT
 - CC9 COMPRESSOR CONTACT
 - CC10 COMPRESSOR CONTACT
 - CC11 COMPRESSOR CONTACT
 - CC12 COMPRESSOR CONTACT
 - CC13 COMPRESSOR CONTACT
 - CC14 COMPRESSOR CONTACT
 - CC15 COMPRESSOR CONTACT
 - CC16 COMPRESSOR CONTACT
 - CC17 COMPRESSOR CONTACT
 - CC18 COMPRESSOR CONTACT
 - CC19 COMPRESSOR CONTACT
 - CC20 COMPRESSOR CONTACT
 - CC21 COMPRESSOR CONTACT
 - CC22 COMPRESSOR CONTACT
 - CC23 COMPRESSOR CONTACT
 - CC24 COMPRESSOR CONTACT
 - CC25 COMPRESSOR CONTACT
 - CC26 COMPRESSOR CONTACT
 - CC27 COMPRESSOR CONTACT
 - CC28 COMPRESSOR CONTACT
 - CC29 COMPRESSOR CONTACT
 - CC30 COMPRESSOR CONTACT
 - CC31 COMPRESSOR CONTACT
 - CC32 COMPRESSOR CONTACT
 - CC33 COMPRESSOR CONTACT
 - CC34 COMPRESSOR CONTACT
 - CC35 COMPRESSOR CONTACT
 - CC36 COMPRESSOR CONTACT
 - CC37 COMPRESSOR CONTACT
 - CC38 COMPRESSOR CONTACT
 - CC39 COMPRESSOR CONTACT
 - CC40 COMPRESSOR CONTACT
 - CC41 COMPRESSOR CONTACT
 - CC42 COMPRESSOR CONTACT
 - CC43 COMPRESSOR CONTACT
 - CC44 COMPRESSOR CONTACT
 - CC45 COMPRESSOR CONTACT
 - CC46 COMPRESSOR CONTACT
 - CC47 COMPRESSOR CONTACT
 - CC48 COMPRESSOR CONTACT
 - CC49 COMPRESSOR CONTACT
 - CC50 COMPRESSOR CONTACT
 - CC51 COMPRESSOR CONTACT
 - CC52 COMPRESSOR CONTACT
 - CC53 COMPRESSOR CONTACT
 - CC54 COMPRESSOR CONTACT
 - CC55 COMPRESSOR CONTACT
 - CC56 COMPRESSOR CONTACT
 - CC57 COMPRESSOR CONTACT
 - CC58 COMPRESSOR CONTACT
 - CC59 COMPRESSOR CONTACT
 - CC60 COMPRESSOR CONTACT
 - CC61 COMPRESSOR CONTACT
 - CC62 COMPRESSOR CONTACT
 - CC63 COMPRESSOR CONTACT
 - CC64 COMPRESSOR CONTACT
 - CC65 COMPRESSOR CONTACT
 - CC66 COMPRESSOR CONTACT
 - CC67 COMPRESSOR CONTACT
 - CC68 COMPRESSOR CONTACT
 - CC69 COMPRESSOR CONTACT
 - CC70 COMPRESSOR CONTACT
 - CC71 COMPRESSOR CONTACT
 - CC72 COMPRESSOR CONTACT
 - CC73 COMPRESSOR CONTACT
 - CC74 COMPRESSOR CONTACT
 - CC75 COMPRESSOR CONTACT
 - CC76 COMPRESSOR CONTACT
 - CC77 COMPRESSOR CONTACT
 - CC78 COMPRESSOR CONTACT
 - CC79 COMPRESSOR CONTACT
 - CC80 COMPRESSOR CONTACT
 - CC81 COMPRESSOR CONTACT
 - CC82 COMPRESSOR CONTACT
 - CC83 COMPRESSOR CONTACT
 - CC84 COMPRESSOR CONTACT
 - CC85 COMPRESSOR CONTACT
 - CC86 COMPRESSOR CONTACT
 - CC87 COMPRESSOR CONTACT
 - CC88 COMPRESSOR CONTACT
 - CC89 COMPRESSOR CONTACT
 - CC90 COMPRESSOR CONTACT
 - CC91 COMPRESSOR CONTACT
 - CC92 COMPRESSOR CONTACT
 - CC93 COMPRESSOR CONTACT
 - CC94 COMPRESSOR CONTACT
 - CC95 COMPRESSOR CONTACT
 - CC96 COMPRESSOR CONTACT
 - CC97 COMPRESSOR CONTACT
 - CC98 COMPRESSOR CONTACT
 - CC99 COMPRESSOR CONTACT
 - CC100 COMPRESSOR CONTACT