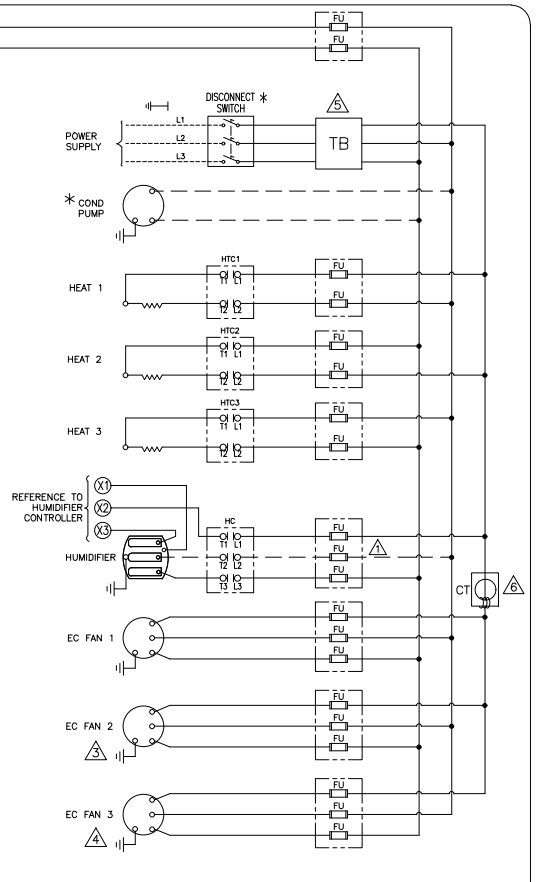


HIGH VOLTAGE WIRING



EC PLUG FAN MOTOR CONNECTION POINTS

MANUFACTURER	A	B	C	D
	PIN/LABEL	PIN/LABEL	PIN/LABEL	PIN/LABEL
FANS-TECH	6/Ain1U	5/GND	Not Req'd	Not Req'd
EBM PAPT GEN II	4/Ain1U	3 or 10/GND	Not Req'd	Not Req'd
ZIEHL-ABEGG	E1	GND	D1	+24V
EBM PAPT GEN I	3 or 7/0-10V PWM	2 or 8/GND	Not Req'd	Not Req'd
ROSENBERG	Analogue 1 5/0-10V/PWM	Analogue 1 5/0-10V/PWM	11/Enable	10/+24V

TEMP. AND HUMIDITY SENSOR CONNECTION

ACI	UNIT MOUNT				
	GRY	ORG	Vin	COM	4-20 mA
	-	+	Vin	COM	4-20 mA
	UNIT AND REMOTE MOUNT				
	NTC	NTC	G+	M	OUTH

PANEL LEGEND

- CB = CIRCUIT BREAKER
 - CT = CURRENT TRANSFORMER
 - CT-4 = CURRENT TRANSFORMER 4
 - DP = DIFFERENTIAL PRESSURE SWITCH
 - FS = FUSE
 - HC = HUMIDIFIER CONTACTOR
 - HF = HUMIDIFIER FUSE
 - HIC = HUMIDIFIER CONTACTOR
 - HIF = HUMIDIFIER FUSE
 - HTP = HEATER TRANSFORMER
 - ISO TR = HIGH VOLTAGE/24VAC TRANSFORMER W/C SURGE SUPPRESSOR
 - SS = SURGE SUPPRESSOR
 - TR = TRANSFORMER
 - (N) = TERMINAL BLOCK NO.
 - = FIELD WIRING
 - - - = OPTIONAL WIRING
 - * = OPTIONAL COMPONENTS
 - *** = TEMP. AND HUMIDITY SENSOR CONNECTION TABLE
 - 1 = USE ON 30 LB HUMIDIFIER ONLY
 - 2 = USE ON 56-91KW UNITS
 - 3 = USE ON 106KW UNITS
 - 4 = TB MAY BE OMITTED WHEN DISCONNECT SWITCH IS USED
 - 5 = FOR CT THREE (3) LOOPS IS THE MINIMUM NUMBER OF LOOPS; AN ADDITIONAL 4TH LOOP IS NOT ACCEPTABLE
 - 6 = MORE THAN ONE TRANSFORMER MAY BE USED
- NOTE:
TB1 & TB3 HAVE JUMPED PINS THAT ARE COMMON TO NEARBY TERMINALS. CERTAIN COMMON POINTS WILL NOT BE CONNECTED ON ANY OF THESE PINS.

230 W. BLUERIDGE AVE. ORANGE, CA. 92865

© Copyright 2017 Data Aire, Inc.

dataaire

DWG TITLE:
gForce CHILLED WATER
with DAP4 CONTROLLER

JOB NO.:
CREATION DATE: 02-13-2017
CHECKED BY: F. BELTRAN
REVISION DATE: 09-01-2021
OPTION: M

DRANN BY: N. MICHAEL

DWG NO.: GFC-S-903 XY