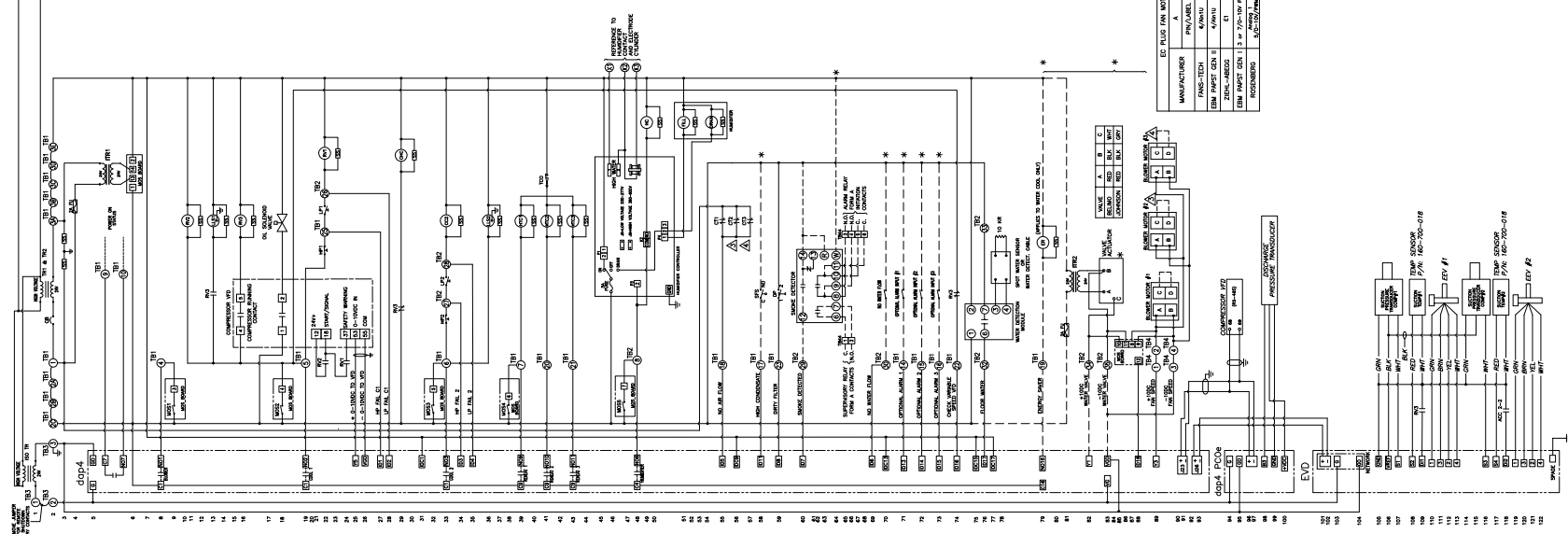
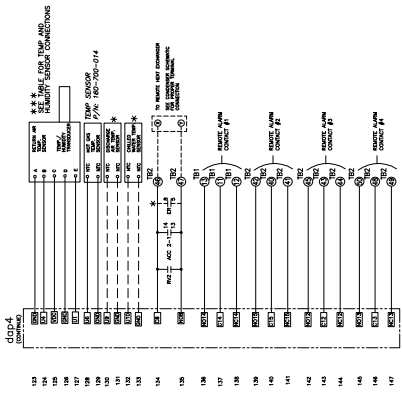


HIGH VOLTAGE WIRING

TEMP. AND HUMIDITY SENSOR CONNECTION

UNIT	A	B	C	D	E
COMP. 1	1	2	3	4	5
COMP. 2	6	7	8	9	10
COMP. 3	11	12	13	14	15
COMP. 4	16	17	18	19	20
COMP. 5	21	22	23	24	25
COMP. 6	26	27	28	29	30
COMP. 7	31	32	33	34	35
COMP. 8	36	37	38	39	40
COMP. 9	41	42	43	44	45
COMP. 10	46	47	48	49	50
COMP. 11	51	52	53	54	55
COMP. 12	56	57	58	59	60
COMP. 13	61	62	63	64	65
COMP. 14	66	67	68	69	70
COMP. 15	71	72	73	74	75
COMP. 16	76	77	78	79	80
COMP. 17	81	82	83	84	85
COMP. 18	86	87	88	89	90
COMP. 19	91	92	93	94	95
COMP. 20	96	97	98	99	100



EG FAN MOTOR CONNECTION POINTS

MANUFACTURER	A	B	C	D
FANS-TECH	1	2	3	4
LEEM PARTS CENT.	5	6	7	8
ELC PARTS CENT.	9	10	11	12
ROCKWELL	13	14	15	16

- PANEL LEGEND**
- ACC = AUXILIARY COMPRESSOR CONTACT
  - AS = AIR FLOW SWITCH
  - BC = BLOWER CONTACTOR
  - BF = BLOWER FUSE
  - CB = CIRCUIT BREAKER
  - CC = COMPRESSOR CONTACTOR
  - CH = CRANKCASE HEATER
  - CF = COMPRESSOR FUSE
  - CHC = CRANKCASE HEATER CONTACTOR
  - data4 = DATA ALARM PROCESSOR 4
  - DS = DIFFERENTIAL PRESSURE SWITCH
  - DIS = DISCONNECT SWITCH
  - EEP = ELECTRONIC EXPANSION VALVE
  - ESR = ENERGY SAVER RELAY
  - EVD = ELECTRONIC EXPANSION VALVE DRIVER
  - EXP = EXPANSION MODULE
  - FU = FUSE
  - HC = HUMIDIFIER CONTACTOR
  - HF = HUMIDIFIER FUSE
  - HES = HOT GAS SOLENOID
  - HP = HIGH PRESSURE CUTOUT
  - HTC = REHEATER CONTACTOR
  - HTF = REHEATER FUSE
  - HUM = HUMIDIFIER
  - ITS = 24V TO 24V ISOLATION TRANSFORMER
  - LLS = LIQUID LINE SOLENOID
  - LP = LOW PRESSURE CUTOUT
  - MOL = MOTOR OVERLOAD
  - MOS = MANUAL OVERRIDE SWITCH BOARD
  - OLR = COMPRESSOR OVERLOAD RELAY
  - RV = VARIABLE SPEED RELAY
  - SFS = SECONDARY FLOAT SWITCH FOR THE CONDENSATE PUMP
  - SS = SURGE SUPPRESSOR
  - TB = TERMINAL BLOCK
  - TCD = THERMAL CUTOUT
  - TD = TIME DELAY
  - TR = TRANSFORMER

- Ⓢ = TERMINAL BLOCK NO.
- = FIELD WIRING
- - - = OPTIONAL WIRING
- \* = OPTIONAL COMPONENTS
- \*\*\* = TEMP. AND HUMIDITY SENSOR CONNECTION TABLE
- ③ = USE ON 56-91KW UNITS
- ⚠ = USE ON 106KW UNITS
- ⑤ = TB MAY BE OMITTED WHEN DISCONNECT SWITCH IS USED
- ⚠ = FOR CT THREE (3) LOOPS IS THE MINIMUM NUMBER OF LOOPS. AN ADDITIONAL LOOP, (4) IS ALSO ACCEPTABLE

© Copyright 2017 Data Aire, Inc.



230 W. BLUERIDGE AVE. ORANGE, CA. 92685

DWG TITLE:  
**gForce DX SERIES**  
 with **VARIABLE SPEED**  
**COMPRESSOR AND**  
**DAP 4 CONTROLLER**

JOB NO:	DRAWN BY:
PROJECT NO: CFUS903XY	CHECKED BY: M. COCHRAN
OPTION:	EFFECTIVITY DATE: 09-09-2019
DIAGRAM NO:	REVISION: H

GFU-S-903 XY