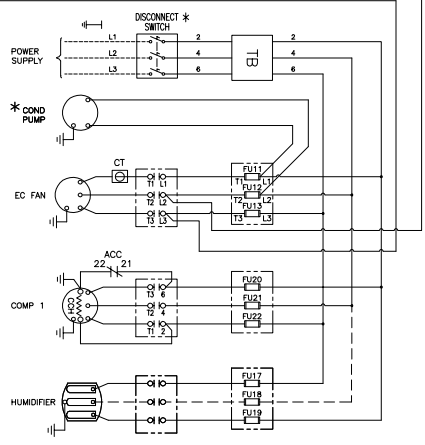
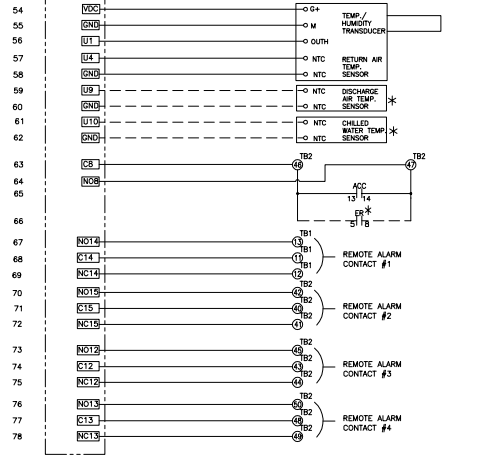


HIGH VOLTAGE WIRING
CPU THREE PHASE UNITS



dnp4
(CONTINUE)



EC PLUG FAN MOTOR CONNECTION POINTS

MANUFACTURER	A PIN/LABEL	B PIN/LABEL	C PIN/LABEL	D PIN/LABEL
FANS-TECH	6/An1U	5/GND	Not Req'd	Not Req'd
EBM PAPST GEN II	4/An1U	3 or 10/GND	Not Req'd	Not Req'd
ZIEHL-ABEGG	E1	GND	D1	+24V
EBM PAPST GEN I	3 or 7/0-10V PWM	2 or 8/GND	Not Req'd	Not Req'd
ROSENBERG	Analog 1 5/0-10V/PWM	Analog 2 5/0-10V/PWM	11/Enable	10/+24V

DWG TITLE: **gPOD Force FLOOR UNITS AIR COOLED/WATER GLYCOL FROM 5 - 13 TON with DAP 4 CONTROLLER**
 JOB NO.:
 PRODUCT NO.: **CPUS903X**
 CHECKED BY: **M. TRAYN**
 EFFECTIVE DATE: **09-21-2017**
 REVISION: **C**
 DRAWING NO.: **GPU-S-903 X**



- PANEL LEGEND**
- AC - AIR FLOW SWITCH
 - ACB - AIR FLOW SWITCH CONTACT
 - ACF - CIRCUIT BREAKER
 - CCN - COMPRESSOR CONTACTOR
 - CCF - COMPRESSOR FUSE
 - CCP - COMPRESSOR PRESSURE SWITCH
 - CCS - COMPRESSOR SAFETY SWITCH
 - CCV - COMPRESSOR VALVE RELAY
 - CCW - COMPRESSOR WINDING
 - CCX - COMPRESSOR EXPANSION MODULE
 - CCY - COMPRESSOR YIELD
 - CCZ - COMPRESSOR ZONE
 - CC1 - COMPRESSOR CONTACTOR
 - CC2 - COMPRESSOR CONTACTOR
 - CC3 - COMPRESSOR CONTACTOR
 - CC4 - COMPRESSOR CONTACTOR
 - CC5 - COMPRESSOR CONTACTOR
 - CC6 - COMPRESSOR CONTACTOR
 - CC7 - COMPRESSOR CONTACTOR
 - CC8 - COMPRESSOR CONTACTOR
 - CC9 - COMPRESSOR CONTACTOR
 - CC10 - COMPRESSOR CONTACTOR
 - CC11 - COMPRESSOR CONTACTOR
 - CC12 - COMPRESSOR CONTACTOR
 - CC13 - COMPRESSOR CONTACTOR
 - CC14 - COMPRESSOR CONTACTOR
 - CC15 - COMPRESSOR CONTACTOR
 - CC16 - COMPRESSOR CONTACTOR
 - CC17 - COMPRESSOR CONTACTOR
 - CC18 - COMPRESSOR CONTACTOR
 - CC19 - COMPRESSOR CONTACTOR
 - CC20 - COMPRESSOR CONTACTOR
 - CC21 - COMPRESSOR CONTACTOR
 - CC22 - COMPRESSOR CONTACTOR
 - CC23 - COMPRESSOR CONTACTOR
 - CC24 - COMPRESSOR CONTACTOR
 - CC25 - COMPRESSOR CONTACTOR
 - CC26 - COMPRESSOR CONTACTOR
 - CC27 - COMPRESSOR CONTACTOR
 - CC28 - COMPRESSOR CONTACTOR
 - CC29 - COMPRESSOR CONTACTOR
 - CC30 - COMPRESSOR CONTACTOR
 - CC31 - COMPRESSOR CONTACTOR
 - CC32 - COMPRESSOR CONTACTOR
 - CC33 - COMPRESSOR CONTACTOR
 - CC34 - COMPRESSOR CONTACTOR
 - CC35 - COMPRESSOR CONTACTOR
 - CC36 - COMPRESSOR CONTACTOR
 - CC37 - COMPRESSOR CONTACTOR
 - CC38 - COMPRESSOR CONTACTOR
 - CC39 - COMPRESSOR CONTACTOR
 - CC40 - COMPRESSOR CONTACTOR
 - CC41 - COMPRESSOR CONTACTOR
 - CC42 - COMPRESSOR CONTACTOR
 - CC43 - COMPRESSOR CONTACTOR
 - CC44 - COMPRESSOR CONTACTOR
 - CC45 - COMPRESSOR CONTACTOR
 - CC46 - COMPRESSOR CONTACTOR
 - CC47 - COMPRESSOR CONTACTOR
 - CC48 - COMPRESSOR CONTACTOR
 - CC49 - COMPRESSOR CONTACTOR
 - CC50 - COMPRESSOR CONTACTOR
 - CC51 - COMPRESSOR CONTACTOR
 - CC52 - COMPRESSOR CONTACTOR
 - CC53 - COMPRESSOR CONTACTOR
 - CC54 - COMPRESSOR CONTACTOR
 - CC55 - COMPRESSOR CONTACTOR
 - CC56 - COMPRESSOR CONTACTOR
 - CC57 - COMPRESSOR CONTACTOR
 - CC58 - COMPRESSOR CONTACTOR
 - CC59 - COMPRESSOR CONTACTOR
 - CC60 - COMPRESSOR CONTACTOR
 - CC61 - COMPRESSOR CONTACTOR
 - CC62 - COMPRESSOR CONTACTOR
 - CC63 - COMPRESSOR CONTACTOR
 - CC64 - COMPRESSOR CONTACTOR
 - CC65 - COMPRESSOR CONTACTOR
 - CC66 - COMPRESSOR CONTACTOR
 - CC67 - COMPRESSOR CONTACTOR
 - CC68 - COMPRESSOR CONTACTOR
 - CC69 - COMPRESSOR CONTACTOR
 - CC70 - COMPRESSOR CONTACTOR
 - CC71 - COMPRESSOR CONTACTOR
 - CC72 - COMPRESSOR CONTACTOR
 - CC73 - COMPRESSOR CONTACTOR
 - CC74 - COMPRESSOR CONTACTOR
 - CC75 - COMPRESSOR CONTACTOR
 - CC76 - COMPRESSOR CONTACTOR
 - CC77 - COMPRESSOR CONTACTOR
 - CC78 - COMPRESSOR CONTACTOR
 - CC79 - COMPRESSOR CONTACTOR
 - CC80 - COMPRESSOR CONTACTOR
 - CC81 - COMPRESSOR CONTACTOR
 - CC82 - COMPRESSOR CONTACTOR
 - CC83 - COMPRESSOR CONTACTOR
 - CC84 - COMPRESSOR CONTACTOR
 - CC85 - COMPRESSOR CONTACTOR
 - CC86 - COMPRESSOR CONTACTOR
 - CC87 - COMPRESSOR CONTACTOR
 - CC88 - COMPRESSOR CONTACTOR
 - CC89 - COMPRESSOR CONTACTOR
 - CC90 - COMPRESSOR CONTACTOR
 - CC91 - COMPRESSOR CONTACTOR
 - CC92 - COMPRESSOR CONTACTOR
 - CC93 - COMPRESSOR CONTACTOR
 - CC94 - COMPRESSOR CONTACTOR
 - CC95 - COMPRESSOR CONTACTOR
 - CC96 - COMPRESSOR CONTACTOR
 - CC97 - COMPRESSOR CONTACTOR
 - CC98 - COMPRESSOR CONTACTOR
 - CC99 - COMPRESSOR CONTACTOR
 - CC100 - COMPRESSOR CONTACTOR