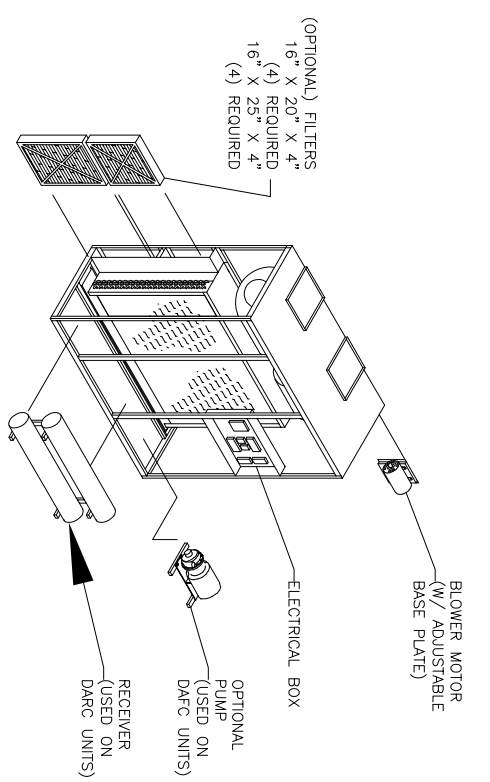
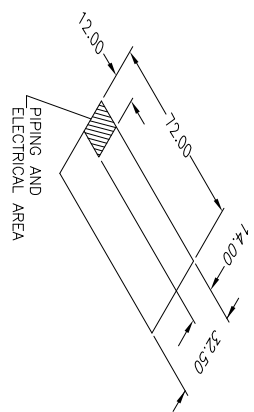
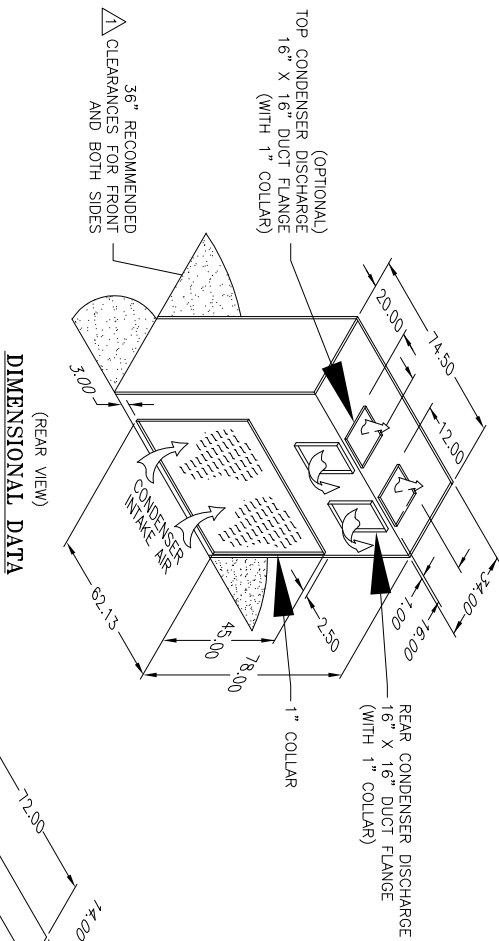


REVISIONS		DATE	BY	CHKBY
REV	DESCRIPTION	07-15-19	OV	BM
F	REVISED COMPONENT DESCRIPTION			

- NOTES:**
- DIMENSIONS NOTED ARE THE MINIMUM CLEARANCES REQUIRED BY THE FACTORY. CONSULT LOCAL BUILDING CODES AND NEC FOR ADDITIONAL CLEARANCE REQUIREMENTS
  - ALL PIPING TERMINATES INSIDE OF CABINET.
  - ALL COMPONENTS AND OPTIONS ARE NOT SHOWN.



MODEL NUMBER	PIPING INLET (DIA STUB)	PIPING OUTLET (DIA STUB)	PHYSICAL DATA			ELECTRICAL DATA			
			QTY FANS	TOTAL CFM	UNIT WEIGHt	QTY MOTORS	HP	FLA 208/230V	FLA 460V
DARC 11	1 1/8	7/8	2	10400	960	1	7.5	23.0	11.0
DARC 15	1 1/8	7/8	2	10000	1110	1	7.5	23.0	11.0
DARC 17	1 1/8	7/8	2	9800	1220	1	7.5	23.0	11.0
DAFC 11	2 1/8	2 1/8	2	10400	960	1	7.5	23.0	11.0
DAFC 15	2 1/8	2 1/8	2	10000	1110	1	7.5	23.0	11.0
DAFC 17	2 1/8	2 1/8	2	9800	1220	1	7.5	23.0	11.0

DATA AIRE PIGGY BACK  
HEAT EXCHANGER  
DARC & DAFC 11,15, & 17 TON

**dataaire**

DRAWN BY: PIZZO, J SCALE: NONE  
CHECKED BY: - SH 1 OF 1  
DATE: 07-14-1998 REV F

PART OF  
**PB-900-002**  
DWG NO.